

Ver 5.0(CE)

UFII Internal Submerged System

Product Catalog

UFII Internal Submerged System

- UFII Narrow
- UFII Regular
- UFII Wide
- UFII Kits
- DIOnavi. Kit
- Surgical Kit

DIO IMPLANT

※ This catalog does not contain all products of DIO Corporation.
Please check with your local sales office order products.

UFII Internal Submerged System

Implant Surface Treatment Feature	010
UFII Int. Submerged System	012
UFII Master Kit	076
UFII Surgical Kit	077
UFII Narrow Kit	090
UFII Wide Kit	094
DIONavi. Kit	099
Surgical Kit	129



UFII Internal Submerged System

UF II Internal Submerged System

N Narrow

013

UF II
Narrow
Fixture



∅3.0 ∅3.3

017

Cover
Screw



018

Healing
Abutment



Cement / Screw - Retained Restorations

024

Pick-up
Impression
Coping



025

Transfer
Impression
Coping



026

Fixture
Analog



026

Temporary
Abutment



027

Cemented
Abutment



030

Angled
Abutment



031

UCLA CCM
Abutment



Cement - Retained Restorations

033

Solid
Abutment



034

Protect
Cap



034

Impression
Cap



035

Solid
Abutment
Analog



035

Plastic
Coping



Overdenture - Retained Restorations

043

Ball
Abutment



044

Ball
Abutment
Analog



044

Retainer



044

Ball Cap



044

O-Ring



045

OT Cap



045

Stainless
Steel
Housing



045

Insertion Tool
For Caps



045

Remove Tool
For Caps



046

Locator
Abutment



046

Replacement
Male



046

Extended
Replacement
Male



047

Male
Package



047

Denture
Cap



047

Black
Processing
Male



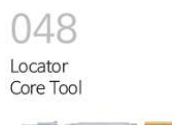
047

Block-Out
Spacer



048

Locator
Core Tool



048

Locator
Square Drive
Torque Wrench
Driver



049

MagDen
Abutment



049

Magnetic
Assembly






Cement / Screw - Retained Restorations

051 Multiunit Abutment		051 Multiunit Screw Driver		051 Transfer Impression Coping		052 Conical Abutment		052 Healing Cap	
052 Pick-up Impression Coping		052 Abutment Analog		053 Temporary Cylinder		053 Plastic Cylinder		053 Cylinder Screw	

R Regular **W** Wide

014 UF II Regular Ø3.8/4.0/ 4.5/5.0/5.5 Wide Ø5.9/6.4/6.9		017 Cover Screw		017 Bone Forming Cover Screw		019 Healing Abutment	
---	---	-----------------------	---	--	---	----------------------------	---

Cement / Screw - Retained Restorations

024 Pick-up Impression Coping		025 Transfer Impression Coping		026 Fixture Analog		026 Temporary Abutment		027 Cemented Abutment	
029 Mill Abutment		030 Angled Abutment		031 UCLA CCM Abutment		031 UCLA Plastic Abutment			

Cement - Retained Restorations

033 Solid Abutment		034 Protect Cap		035 Impression Cap		035 Solid Abutment Analog		035 Plastic Coping	
--------------------------	---	-----------------------	---	--------------------------	---	------------------------------------	---	--------------------------	---

Screw - Retained Restorations

037 Octa Abutment		037 Healing Cap		038 Pick-up Impression Coping		038 Transfer Impression Coping		038 Octa Abutment Analog	
-------------------------	---	-----------------------	---	--	---	---	--	-----------------------------------	---

UF II Internal Submerged System

Cement / Screw - Retained Restorations



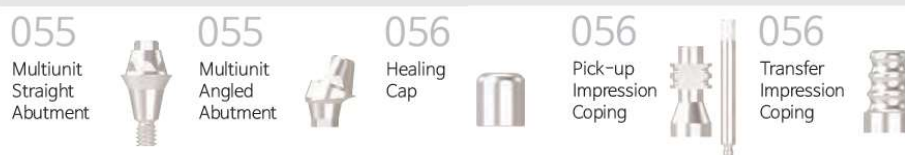
Overdenture - Retained Restorations



Cement / Screw - Retained Restorations

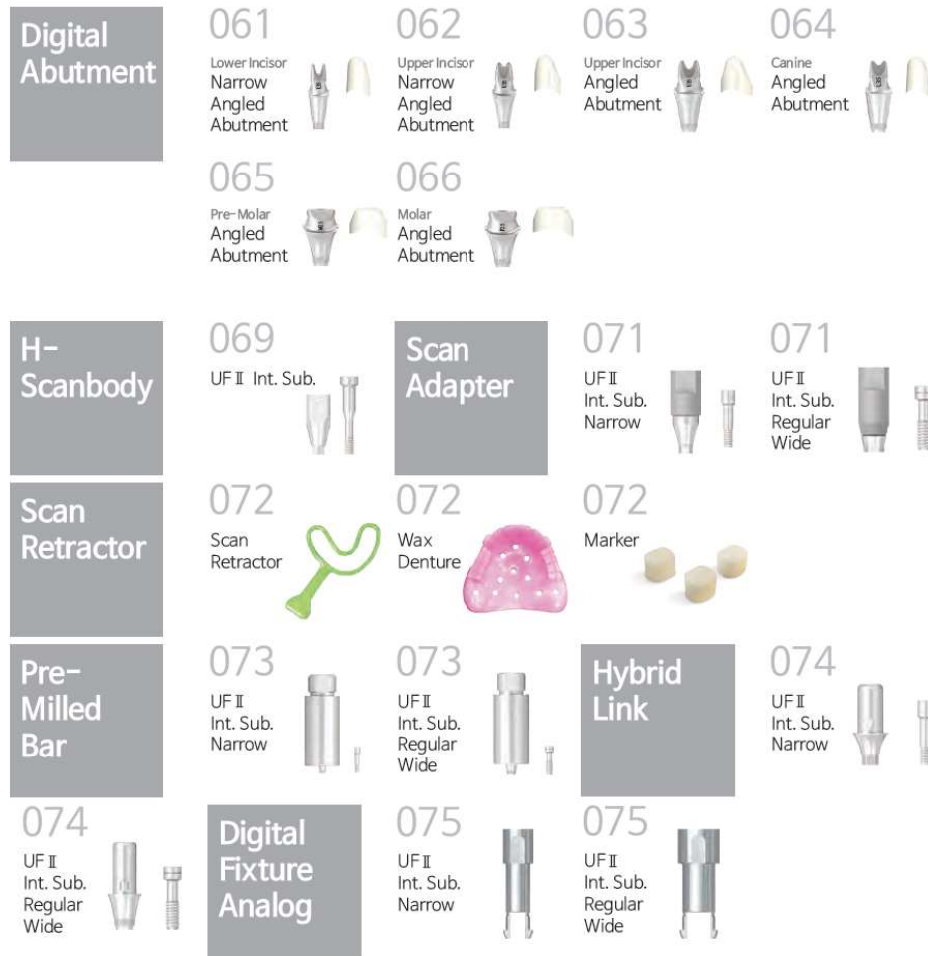


Screw - Retained Restorations





Digital Materials



UF II Internal Submerged System

UF II Surgical Kit

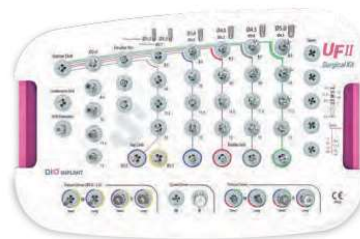
076

UF II Master Kit



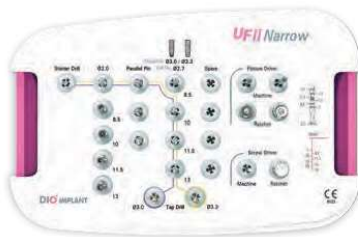
077

UF II Surgical Kit



090

UF II Narrow Kit



094

UF II Wide Kit



DIONavi. Surgical Kit

100

DIONavi. Master Kit



109

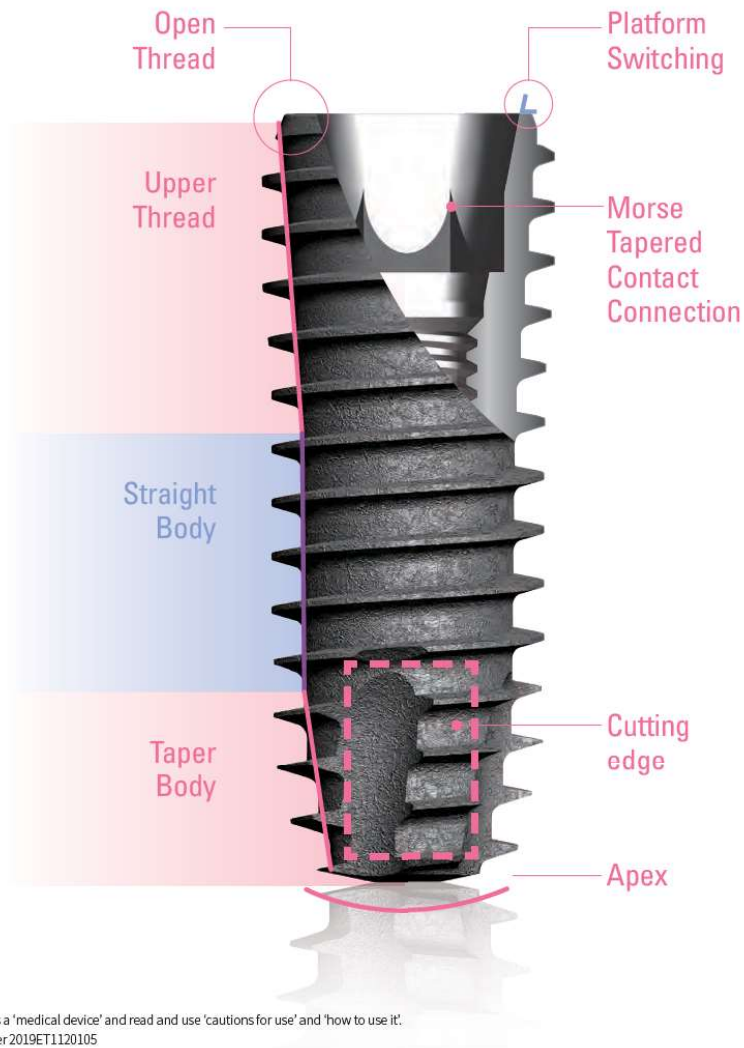
DIONavi. Narrow Kit



Implant Surface Treatment Feature

Hybrid Type SLA Implant

UFII Implant

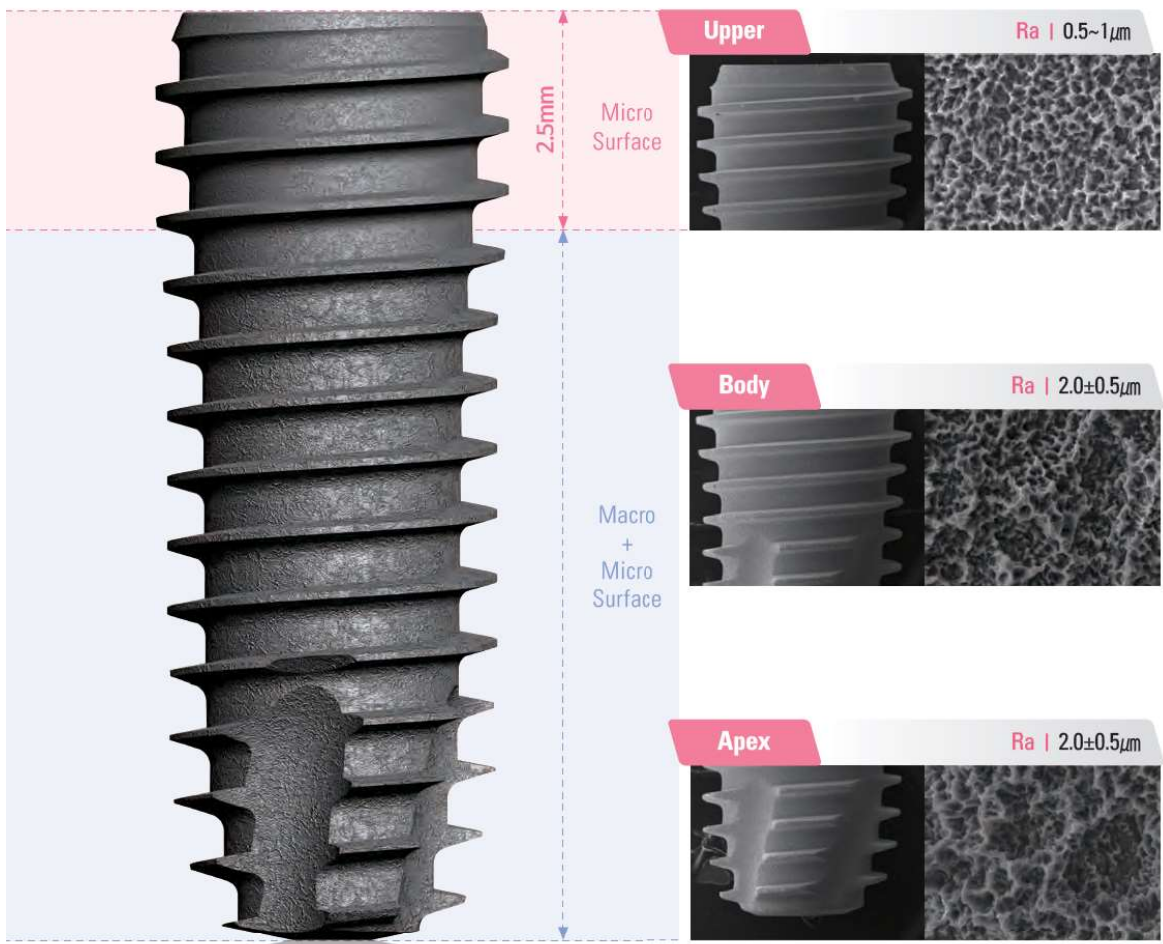


Implant Surface Treatment Feature

Hybrid Type SLA Implant

UFII Implant Surface HSA

IMPLANT SYSTEM
UFII INT. SUBMERGED SYSTEM



UFII Internal Submerged System

UFII Narrow

D $\emptyset 3.0$ | $\emptyset 3.3$
 L 8.5 | 10 | 11.5 | 13 | 15

HSA UVActive

UFII Regular

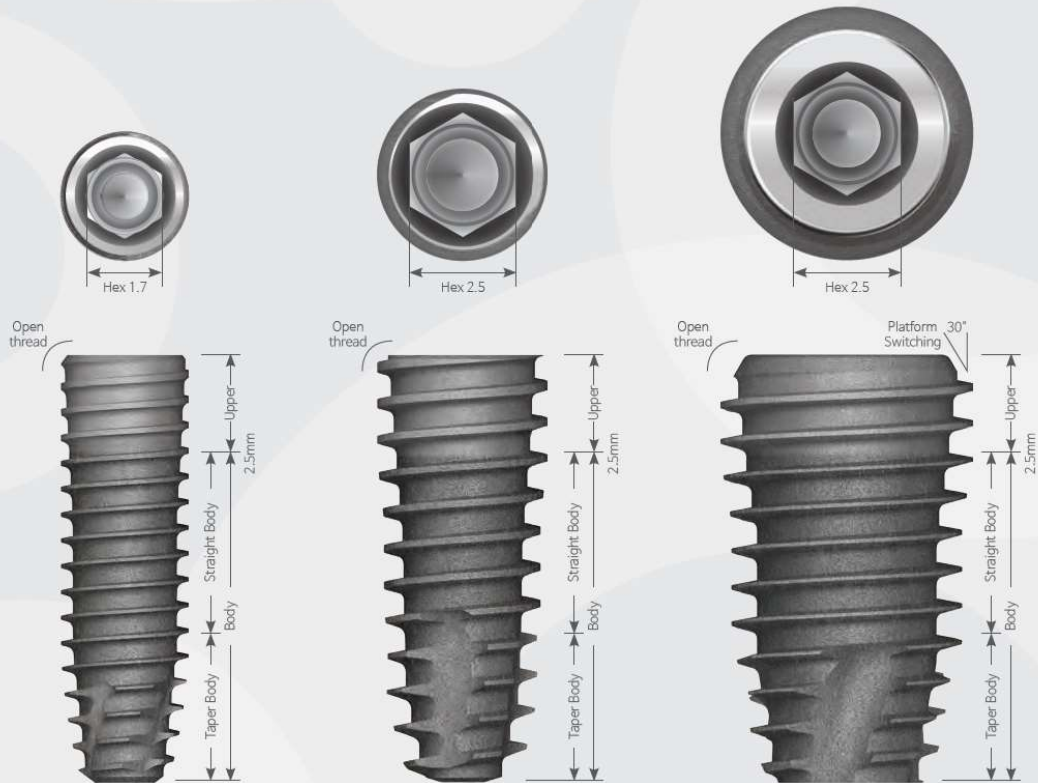
D $\emptyset 3.8$ | $\emptyset 4.0$ | $\emptyset 4.5$ | $\emptyset 5.0$ | $\emptyset 5.5$
 L 7 | 8.5 | 10 | 11.5 | 13 | 15

HSA UVActive

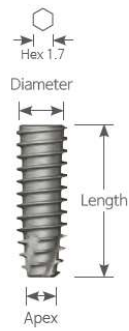
UFII Wide

D $\emptyset 5.9$ | $\emptyset 6.4$ | $\emptyset 6.9$
 L 7 | 8.5 | 10 | 11.5 | 13 | 15

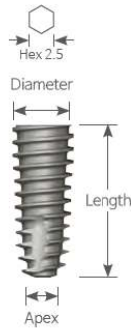
HSA UVActive



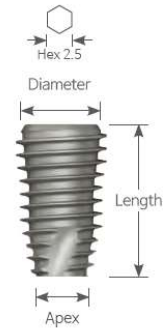
UFII Narrow



UFII Regular



UFII Wide



IMPLANT SYSTEM
UFII INT. SUBMERGED SYSTEM

Narrow Fixture

► $\varnothing 3.0$ fixture exclusive for anterior region.

- HSA / Packing Unit : Fixture | Order code : UF(II)N 0000SF (ex : UF(II)N 3008SF)
Fixture + Cover Screw | Order code : UF(II)N 0000S (ex : UF(II)N 3008S)
- UV Active / Packing Unit : Fixture

N D $\varnothing 3.0$ Hex 1.7 Apex $\varnothing 1.6$		Unit mm Scale 1:1.2				
Length	8.5	10	11.5	13	15	



HSA | UF(II)N 3008SF UF(II)N 3010SF UF(II)N 3011SF UF(II)N 3013SF UF(II)N 3015SF
UV Active | UF(II)N 3008UV3 UF(II)N 3010UV3 UF(II)N 3011UV3 UF(II)N 3013UV3 -






N D $\varnothing 3.3$ Hex 1.7 Apex $\varnothing 1.9$		Unit mm Scale 1:1.2				
Length	8.5	10	11.5	13	15	










HSA | UF(II)N 3308SF UF(II)N 3310SF UF(II)N 3311SF UF(II)N 3313SF UF(II)N 3315SF
UV Active | UF(II)N 3308UV3 UF(II)N 3310UV3 UF(II)N 3311UV3 UF(II)N 3313UV3 -

Regular Fixture




- HSA / Packing Unit : Fixture | Order code : UF(II) 0000SF (ex : UF(II) 3808SF)
- Fixture + Cover Screw | Order code : UF(II) 0000S (ex : UF(II) 3808S)
- Fixture Mount + Mount Screw + Fixture + Cover Screw | Order code : PUF(II) 0000S (ex : PUF(II) 3808S)
- UV Active / Packing Unit : Fixture

		R D Ø3.8 Hex 2.5 Apex Ø1.4						Unit:mm Scale 1:1.2
Length		7	8.5	10	11.5	13	15	
								
HSA		-	UF(II) 3808SF	UF(II) 3810SF	UF(II) 3811SF	UF(II) 3813SF	UF(II) 3815SF	
UV Active		-	UF(II) 3808UV3	UF(II) 3810UV3	UF(II) 3811UV3	UF(II) 3813UV3	-	

		R D Ø4.0 Hex 2.5 Apex Ø1.6					
Length		7	8.5	10	11.5	13	15
							
HSA		-	UF(II) 4008SF	UF(II) 4010SF	UF(II) 4011SF	UF(II) 4013SF	UF(II) 4015SF
UV Active		-	UF(II) 4008UV3	UF(II) 4010UV3	UF(II) 4011UV3	UF(II) 4013UV3	-


		R D Ø4.5 Hex 2.5 Apex Ø1.6					
Length		7	8.5	10	11.5	13	15
							
HSA		UF(II) 4507SF	UF(II) 4508SF	UF(II) 4510SF	UF(II) 4511SF	UF(II) 4513SF	UF(II) 4515SF
UV Active		UF(II) 4507UV3	UF(II) 4508UV3	UF(II) 4510UV3	UF(II) 4511UV3	UF(II) 4513UV3	-

R D Ø5.0 Hex 2.5 Apex Ø2.0						
Length	7	8.5	10	11.5	13	15
						
HSA	UF(II) 5007SF	UF(II) 5008SF	UF(II) 5010SF	UF(II) 5011SF	UF(II) 5013SF	UF(II) 5015SF
UV Active	UF(II) 5007UV3	UF(II) 5008UV3	UF(II) 5010UV3	UF(II) 5011UV3	UF(II) 5013UV3	-







R D Ø5.5 Hex 2.5 Apex Ø2.5						
Length	7	8.5	10	11.5	13	15
						
HSA	UF(II) 5507SF	UF(II) 5508SF	UF(II) 5510SF	UF(II) 5511SF	UF(II) 5513SF	UF(II) 5515SF
UV Active	UF(II) 5507UV3	UF(II) 5508UV3	UF(II) 5510UV3	UF(II) 5511UV3	UF(II) 5513UV3	-

Wide Fixture

- HSA / Packing Unit : Fixture | Order code : UF (II) 0000SF (ex : UF (II) 6007SF)
- Fixture + Cover Screw | Order code : UF (II) 0000S (ex : UF (II) 6007S)
- Fixture Mount + Mount Screw + Fixture + Cover Screw | Order code : PUF (II) 0000S (ex : PUF (II) 6007S)
- UV Active / Packing Unit : Fixture

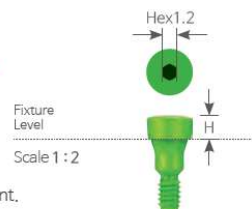
		W D Ø5.9 Hex 2.5 Apex Ø3.6						Unit:mm Scale 1:1.2
Length		7	8.5	10	11.5	13	15	
								
HSA		UF(II) 6007SF	UF(II) 6008SF	UF(II) 6010SF	UF(II) 6011SF	UF(II) 6013SF	UF(II) 6015SF	
UV Active		UF(II) 6007UV3	UF(II) 6008UV3	UF(II) 6010UV3	UF(II) 6011UV3	UF(II) 6013UV3	-	

		W D Ø6.4 Hex 2.5 Apex Ø3.6					
Length		7	8.5	10	11.5	13	15
							
HSA		UF(II) 6507SF	UF(II) 6508SF	UF(II) 6510SF	UF(II) 6511SF	UF(II) 6513SF	UF(II) 6515SF
UV Active		UF(II) 6507UV3	UF(II) 6508UV3	UF(II) 6510UV3	UF(II) 6511UV3	UF(II) 6513UV3	-

		W D Ø6.9 Hex 2.5 Apex Ø3.6					
Length		7	8.5	10	11.5	13	15
							
HSA		UF(II) 7007SF	UF(II) 7008SF	UF(II) 7010SF	UF(II) 7011SF	UF(II) 7013SF	UF(II) 7015SF
UV Active		UF(II) 7007UV3	UF(II) 7008UV3	UF(II) 7010UV3	UF(II) 7011UV3	UF(II) 7013UV3	-

Cover Screw

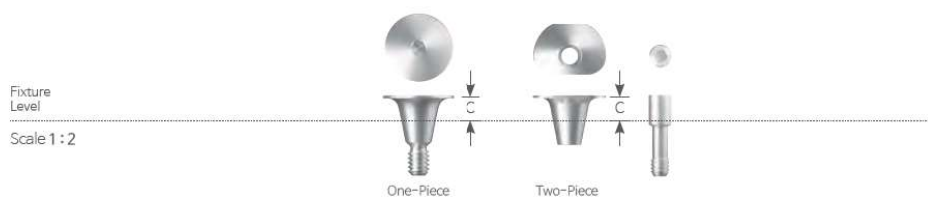
- ▶ Used for narrow area after the Implant surgery or protecting Implant connection area.
- ▶ Dental Implant cover screw is implanted into the top which helps to prevent tissue and bone to grow inside the implant.
- Uses 1.2 Hex Driver
- Method of use
 - ① Screw installation after removing the remaining blood or foreign substance in Implant.
 - ② Connect the screw using 1.2 hex driver and hand-tighten (5~8Ncm)
- Tightening Torque : 5~8Ncm
- Packing Unit : 1 Set (6 Pieces) | Order code : UNSCS 0000S or SSCS 0000s (ex : UNSCS 2700S)



N R W Hex 1.2		Unit mm Scale 1 : 1,25		
Fixture Size	Narrow	Regular · Wide		
Height 0	UNSCS 2700	SSCS 3400	-	
1	UNSCS 2710	-	SSCS 3410	
2	UNSCS 2720	-	SSCS 3420	
3	UNSCS 2730	-	SSCS 3430	

Bone Forming Cover Screw

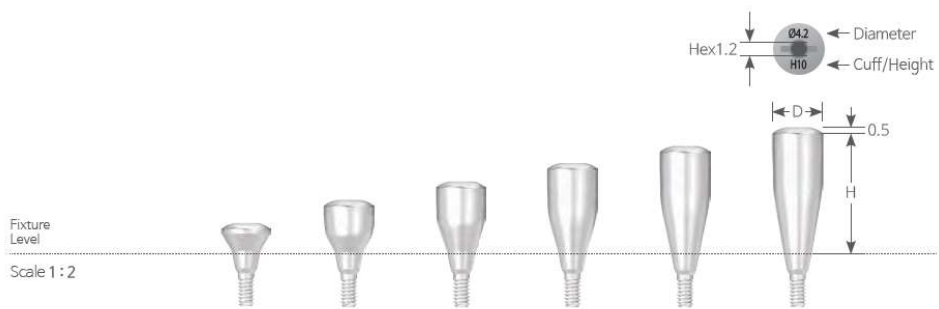
- ▶ the Bone Forming Cover Screw is then used to cover the bonegraft to protect it from your tongue and saliva.
- ▶ Make a buccal incision (instead of a midcrestal incision) for better access to keratinized mucosa.
- Concave transmucosal profile make enough space for bone graft.
- 2-piece type can be used depending on implant placement and distance from adjacent teeth.



R		Unit mm Scale 1 : 1,25			
Fixture Size	Regular				
Type	One - Piece		Two - Piece		
Cuff 1.5	BFC 6565S	BFC 8080S	BFC 7060S	BFC 8055S	
3	BFC 6565L	BFC 8080L	BFC 7060L	BFC 8055L	

Healing Abutment

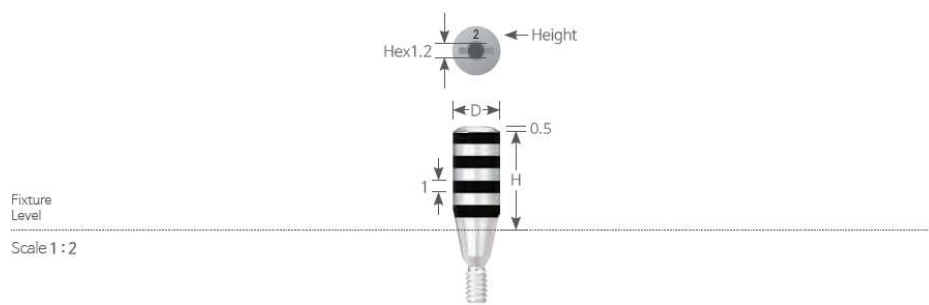
- Uses 1.2 Hex Driver
- Uses 0.5 Slot Driver
- Tightening Torque : 5~8Ncm



N Hex 1.2		Unit:mm Scale 1 : 1.25			
Fixture Size		Narrow			
		→ Ø4.1 ←	→ Ø4.2 ←	→ Ø4.6 ←	→ Ø4.7 ←
Height 2	UNSHA 4020	-	UNSHA 4520	-	-
4	-	UNSHA 4024	-	UNSHA 4524	-
5.5	-	UNSHA 4035	-	UNSHA 4535	-
7	-	UNSHA 4047	-	UNSHA 4547	-
8.5	-	UNSHA 4058	-	UNSHA 4558	-
10	-	UNSHA 4060	-	UNSHA 4560	-

Healing Abutment

- ▶ Used for small diameter abutment like Ball abutment
- ▶ Used if the fixture is deeply placed
- Uses 1.2 Hex Driver
- Uses 0.5 Slot Driver
- Tightening Torque : 5~8Ncm



IMPLANT SYSTEM
UPII INT. SUBMERGED SYSTEM

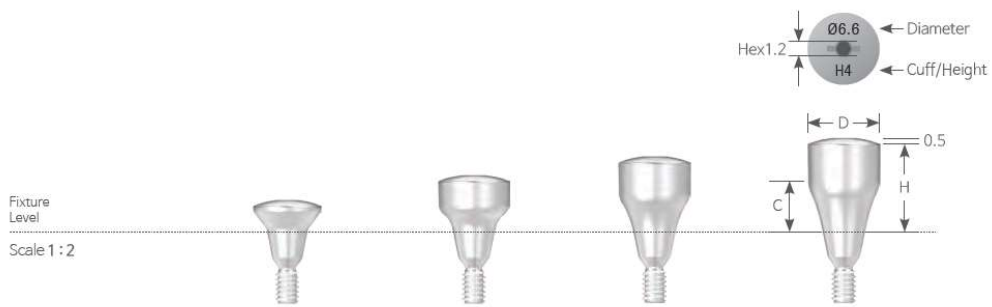
R W D Ø4.0 Hex 1.2 Unit mm | Scale 1 : 1.25

Fixture Size	Regular · Wide			
Height	2	4	6	8



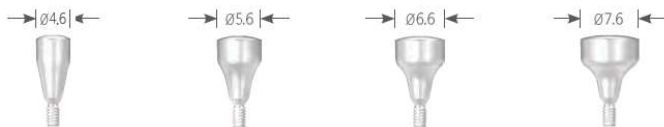
Healing Abutment

- Uses 1.2 Hex Driver
- Uses 0,5 Slot Driver
- Tightening Torque : 5~8Ncm



R W Hex 1.2 Unit mm | Scale 1 : 1.25

Fixture Size Regular · Wide



Height 2 Cuff 2	SSHA 4520	SSHA 5520	SSHA 6520	SSHA 7520
Height 4 Cuff 2	SSHA 4524	SSHA 5524	SSHA 6524	SSHA 7524
Height 5.5 Cuff 3	SSHA 4535	SSHA 5535	SSHA 6535	SSHA 7535
Height 7 Cuff 4	SSHA 4547	SSHA 5547	SSHA 6547	SSHA 7547

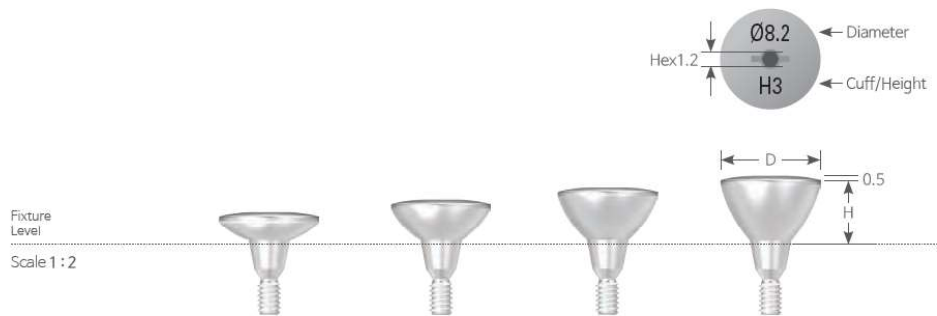
Healing Abutment

► Used for making the desired emergence profile.

· Caution

- ① Connect the screw using 1.2 hex driver and hand-tighten (5~8Ncm)
- ② Organized by diameter and height, the healing abutments can be selected according to the needs and requirements of a particular clinical case.
 - Gum Extension to secure an emergency profile in the posterior region, or components for minimizing inflammation response due to gingival compression during custom abutment production.
 - ※ When connecting the cover screw and healing abutment, the screw can be separated easily by applying antibiotics functioning as lubricant. (Antibiotics: Minocline, Periocline, etc.)

- Uses 1.2 Hex Driver
- Uses 0.5 Slot Driver
- Tightening Torque : 5~8Ncm



R W Hex 1.2 Unit mm | Scale 1 : 1.25

Fixture Size **Regular · Wide**

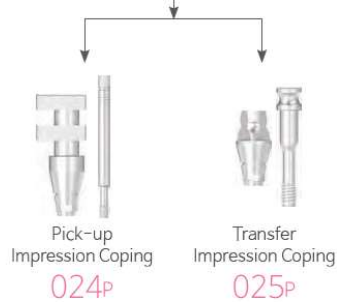
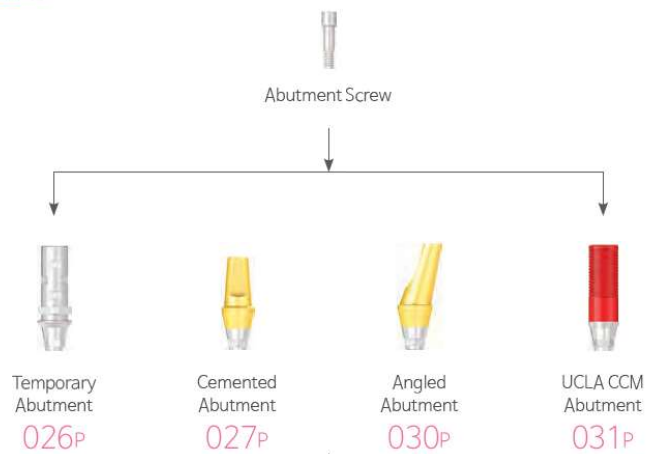


Height 2	SSHA 8212	SSHA 9212
3	SSHA 8223	SSHA 9223
4	SSHA 8234	SSHA 9234
5	SSHA 8245	SSHA 9245

Cement / Screw – Retained Restorations

Temporary / Cemented / Angled / UCLA Abutment

Fixture - **N R W**



Cement / Screw – Retained Restorations

Mill / UCLA Abutment

Fixture - **R** **W**

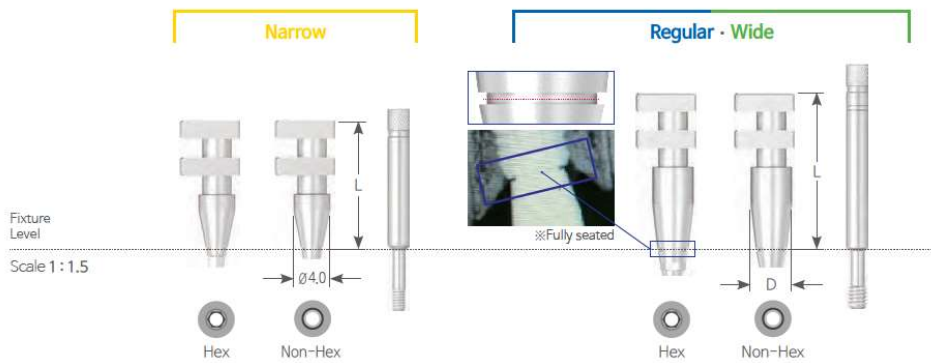


Abutment Components

Pick-up Impression Coping Hex Non-Hex

► Custom tray is used for pick-up type of impression taking.

- Uses 1.2 Hex Driver
- Packing Unit : Pick-up Impression Coping + Guide Pin



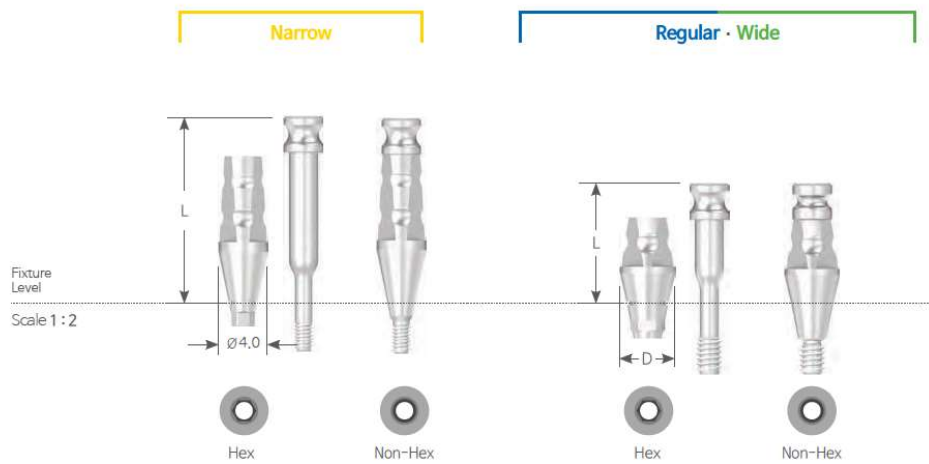
		N R W Hex						Unit:mm
Fixture Size	Narrow		Regular - Wide					
Diameter	Ø4.0	Guide Pin	Ø4.0	Ø4.5	Ø5.5	Ø6.5	Guide Pin	
Length 09	-	-	SSPI 4009H	SSPI 4509H	SSPI 5509H	SSPI 6509H	SSG 2021	
12	UNSPI 4012H	UNSSG 1422	-	-	-	-	-	
13	-	-	SSPI 4013H	SSPI 4513H	SSPI 5513H	SSPI 6513H	SSG 2026	
14	UNSPI 4014H	UNSSG 1422	-	-	-	-	-	
16	UNSPI 4016H	UNSSG 1425	-	-	-	-	-	
17	-	-	SSPI 4017H	SSPI 4517H	SSPI 5517H	SSPI 6517H	SSG 2329	
19	-	-	SSPI 4019H	SSPI 4519H	SSPI 5519H	SSPI 6519H	SSG 2329	

		N R W Non-Hex						Unit:mm
Fixture Size	Narrow		Regular - Wide					
Diameter	Ø4.0	Guide Pin	Ø4.0	Ø4.5	Ø5.5	Ø6.5	Guide Pin	
Length 09	-	-	SSPI 4009N	SSPI 4509N	SSPI 5509N	SSPI 6509N	SSG 2021	
12	UNSPI 4012N	UNSSG 1422	-	-	-	-	-	
13	-	-	SSPI 4013N	SSPI 4513N	SSPI 5513N	SSPI 6513N	SSG 2026	
14	UNSPI 4014N	UNSSG 1422	-	-	-	-	-	
16	UNSPI 4016N	UNSSG 1425	-	-	-	-	-	
17	-	-	SSPI 4017N	SSPI 4517N	SSPI 5517N	SSPI 6517N	SSG 2329	
19	-	-	SSPI 4019N	SSPI 4519N	SSPI 5519N	SSPI 6519N	SSG 2329	

Abutment Components

Transfer Impression Coping Hex Non-Hex

- ▶ Ready-made tray is used for transfer type of impression taking.
- Triple sided structure increases quality.
- Uses 1.2 Hex Driver
- Hex type is two-piece structure and Non-Hex type is one-piece structure.
- Packing Unit : Transfer Impression Coping + Coping Screw (Hex)
Transfer Impression Coping (Non-Hex)



		N R W Hex							Unit mm
Fixture Size		Narrow		Regular · Wide					
Diameter		Ø4.0	Screw	Ø4.0	Ø4.5	Ø5.5	Screw	Ø6.5	Screw
Length 10		-	-	SSTI4010H	SSTI4510H	SSTI5510H	SSTI4015S	SSTI6510H	SSTI6515S
13		UNSTI4013H	UNSTI4013S	-	-	-	-	-	-
15		UNSTI4015H	UNSTI4015S	SSTI4015H	SSTI4515H	SSTI5515H	SSTI4020S	SSTI6515H	SSTI6520S
17		UNSTI4017H	UNSTI4017S	-	-	-	-	-	-

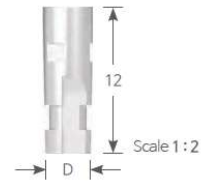
		N R W Non-Hex					Unit mm
Fixture Size		Narrow		Regular · Wide			
Diameter		Ø4.0		Ø4.0	Ø4.5	Ø5.5	Ø6.5
Length 10		-		SSTI4010N	SSTI4510N	SSTI5510N	SSTI6510N
13		UNSTI4013N		-	-	-	-
15		UNSTI4015N		SSTI4015N	SSTI4515N	SSTI5515N	SSTI6515N
17		UNSTI4017N		-	-	-	-

IMPLANT SYSTEM
UPII INT. SUBMERGED SYSTEM

Abutment Components

Fixture Analog

► Replicates implant for the fabrication of prosthetics on the working model.



N R W Length 12 Unit:mm | Scale 1 : 1,25

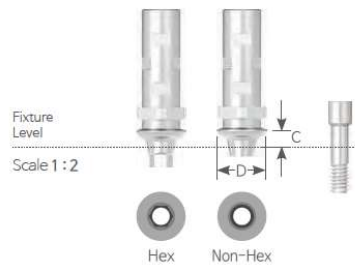
Fixture Size	Narrow	Regular · Wide
Diameter	Ø3.0	Ø4.0



Temporary Abutment Hex Non-Hex

► Used when temporary prosthesis is made

- Hex / Non-Hex Type
- Uses 1,2 Hex Driver
- Packing Unit : Abutment + Abutment Screw
- Tightening Torque : **N** 20Ncm, **R W** 30~35Ncm



N R W Unit:mm | Scale 1 : 1,25

Fixture Size	Narrow		Regular · Wide	
Diameter	Ø4.0		Ø4.5	
Type	Hex	Non-Hex	Hex	Non-Hex

Cuff 1	UNSTA 4010H	UNSTA 4010N	SSTA 4510H	SSTA 4510N
3	UNSTA 4030H	UNSTA 4030N	SSTA 4530H	SSTA 4530N
Abut. Screw	UNSAS 1407H	UNSAS 1407H	SSC 2008H	SSC 2008H

Cemented Abutment

Hex Non-Hex

► For cement retained prosthesis

- Gold colored gingival area for esthetic purpose
- Uses 1.2 Hex Driver
- Compatible with Solid Abutment Impression Cap
- Packing Unit : Abutment + Abutment Screw
- Tightening Torque : **N** 20Ncm, **R W** 30~35Ncm

IMPLANT SYSTEM
UFI INT. SUBMERGED SYSTEM

	N	R	W	Hex	
Fixture Size	Narrow		Regular · Wide		
Diameter	Ø4.0	Ø4.5	Ø5.5	Ø6.5	Ø7.5

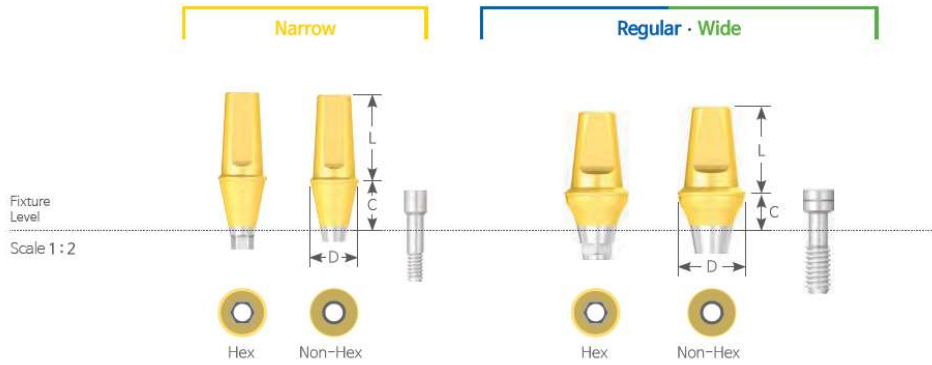
Unit mm | Scale 1 : 1.25



Length 4					
Cuff 1	-	SSCA 45104H(II)	SSCA 55104H(II)	SSCA 65104H(II)	SSCA 75104H(II)
2	-	SSCA 45204H(II)	SSCA 55204H(II)	SSCA 65204H(II)	SSCA 75204H(II)
3	-	SSCA 45304H(II)	SSCA 55304H(II)	SSCA 65304H(II)	SSCA 75304H(II)
4	-	SSCA 45404H(II)	SSCA 55404H(II)	SSCA 65404H(II)	SSCA 75404H(II)
5	-	SSCA 45504H(II)	SSCA 55504H(II)	SSCA 65504H(II)	SSCA 75504H(II)
Screw	-	SSC 2008SH	SSC 2008H	SSC 2008H	SSC 2008H





Length 5.5					
Cuff 1	UNSCA 40105H	SSCA 45105H(II)	SSCA 55105H(II)	SSCA 65105H(II)	SSCA 75105H(II)
2	UNSCA 40205H	SSCA 45205H(II)	SSCA 55205H(II)	SSCA 65205H(II)	SSCA 75205H(II)
3	UNSCA 40305H	SSCA 45305H(II)	SSCA 55305H(II)	SSCA 65305H(II)	SSCA 75305H(II)
4	UNSCA 40405H	SSCA 45405H(II)	SSCA 55405H(II)	SSCA 65405H(II)	SSCA 75405H(II)
5	UNSCA 40505H	SSCA 45505H(II)	SSCA 55505H(II)	SSCA 65505H(II)	SSCA 75505H(II)
6	UNSCA 40605H	-	-	-	-
7	UNSCA 40705H	-	-	-	-
Screw	UNSCA 1407H	SSC 2008SH	SSC 2008H	SSC 2008H	SSC 2008H

Length 7					
Cuff 1	UNSCA 40107H	SSCA 45107H(II)	SSCA 55107H(II)	SSCA 65107H(II)	SSCA 75107H(II)
2	UNSCA 40207H	SSCA 45207H(II)	SSCA 55207H(II)	SSCA 65207H(II)	SSCA 75207H(II)
3	UNSCA 40307H	SSCA 45307H(II)	SSCA 55307H(II)	SSCA 65307H(II)	SSCA 75307H(II)
4	UNSCA 40407H	SSCA 45407H(II)	SSCA 55407H(II)	SSCA 65407H(II)	SSCA 75407H(II)
5	UNSCA 40507H	SSCA 45507H(II)	SSCA 55507H(II)	SSCA 65507H(II)	SSCA 75507H(II)
6	UNSCA 40607H	-	-	-	-
7	UNSCA 40707H	-	-	-	-
Screw	UNSCA 1407H	SSC 2008SH	SSC 2008H	SSC 2008H	SSC 2008H



	N	R	W	Non-Hex		Unit mm Scale 1 : 1.25
Fixture Size	Narrow		Regular - Wide			
Diameter	Ø4.0	Ø4.5	Ø5.5	Ø6.5	Ø7.5	

					
Length 4					
Cuff 1	-	SSCA 45104N (II)	SSCA 55104N (II)	SSCA 65104N (II)	SSCA 75104N (II)
2	-	SSCA 45204N (II)	SSCA 55204N (II)	SSCA 65204N (II)	SSCA 75204N (II)
3	-	SSCA 45304N (II)	SSCA 55304N (II)	SSCA 65304N (II)	SSCA 75304N (II)
4	-	SSCA 45404N (II)	SSCA 55404N (II)	SSCA 65404N (II)	SSCA 75404N (II)
5	-	SSCA 45504N (II)	SSCA 55504N (II)	SSCA 65504N (II)	SSCA 75504N (II)
Screw	-	SSC 2008SH	SSC 2008H	SSC 2008H	SSC 2008H

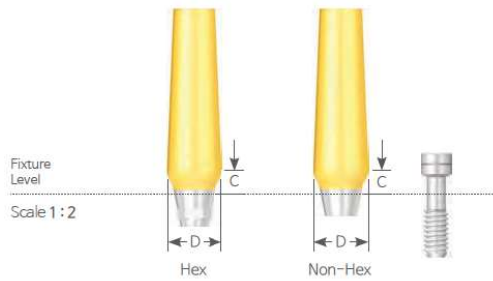
					
Length 5.5					
Cuff 1	UNSCA 40105N	SSCA 45105N (II)	SSCA 55105N (II)	SSCA 65105N (II)	SSCA 75105N (II)
2	UNSCA 40205N	SSCA 45205N (II)	SSCA 55205N (II)	SSCA 65205N (II)	SSCA 75205N (II)
3	UNSCA 40305N	SSCA 45305N (II)	SSCA 55305N (II)	SSCA 65305N (II)	SSCA 75305N (II)
4	UNSCA 40405N	SSCA 45405N (II)	SSCA 55405N (II)	SSCA 65405N (II)	SSCA 75405N (II)
5	UNSCA 40505N	SSCA 45505N (II)	SSCA 55505N (II)	SSCA 65505N (II)	SSCA 75505N (II)
6	UNSCA 40605N	-	-	-	-
7	UNSCA 40705N	-	-	-	-
Screw	UNSCAS 1407H	SSC 2008SH	SSC 2008H	SSC 2008H	SSC 2008H

					
Length 7					
Cuff 1	UNSCA 40107N	SSCA 45107N (II)	SSCA 55107N (II)	SSCA 65107N (II)	SSCA 75107N (II)
2	UNSCA 40207N	SSCA 45207N (II)	SSCA 55207N (II)	SSCA 65207N (II)	SSCA 75207N (II)
3	UNSCA 40307N	SSCA 45307N (II)	SSCA 55307N (II)	SSCA 65307N (II)	SSCA 75307N (II)
4	UNSCA 40407N	SSCA 45407N (II)	SSCA 55407N (II)	SSCA 65407N (II)	SSCA 75407N (II)
5	UNSCA 40507N	SSCA 45507N (II)	SSCA 55507N (II)	SSCA 65507N (II)	SSCA 75507N (II)
6	UNSCA 40607N	-	-	-	-
7	UNSCA 40707N	-	-	-	-
Screw	UNSCAS 1407H	SSC 2008SH	SSC 2008H	SSC 2008H	SSC 2008H

Mill Abutment Hex Non-Hex

- Used when high customization in abutment path and prosthetic margins are needed.
- Abutment of cement retained type that uses dental cement to fix prosthesis in place
- Uses 1.2 Hex Driver
- Packing Unit : Abutment + Abutment Screw (SSC 2008H)
- Tightening Torque : 30~35Ncm

IMPLANT SYSTEM
UPII INT. SUBMERGED SYSTEM



R W Hex Unit mm | Scale 1 : 1.25

Fixture Size	Regular · Wide				
Diameter	Ø4.0	Ø4.5	Ø5.5	Ø6.5	Ø7.5
Cuff	1.5	2	2.5	3	3



SSMA 4015H SSMA 4520H SSMA 5525H SSMA 6530H SSMA 7530H

R W Non-Hex Unit mm | Scale 1 : 1.25

Fixture Size	Regular · Wide				
Diameter	Ø4.0	Ø4.5	Ø5.5	Ø6.5	Ø7.5
Cuff	1.5	2	2.5	3	3

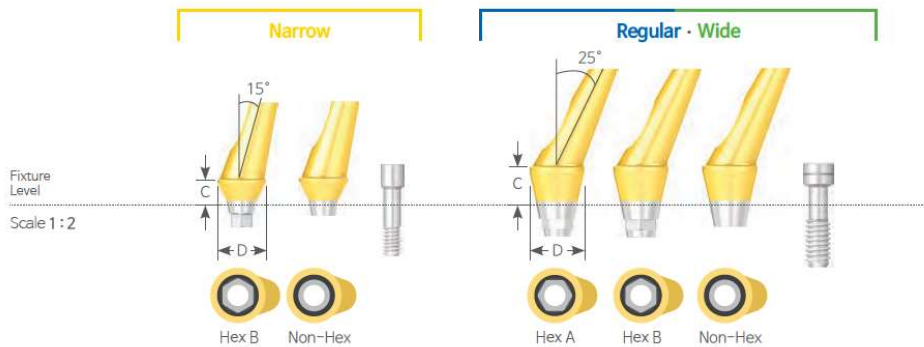


SSMA 4015N SSMA 4520N SSMA 5525N SSMA 6530N SSMA 7530N

Angled Abutment Hex Non-Hex

► Used to modify the fixture's path mainly used for anterior region.

- Depending on the angle slope, it is categorized into 15° and 25° Angled Abutment
- Availability of A type and B type of hex part overcomes the limitation of direction of the abutment
- Gold colored gingival area for esthetic purpose
- Uses 1.2 Hex Driver
- Packing Unit : Abutment + Abutment Screw (N UNSAS 1407H, R W SSC 2008H)
- Tightening Torque : N 20Ncm, R W 30~35Ncm



R W Hex A

Fixture Size	Narrow	Regular - Wide			
Diameter	Ø4.0	Ø4.5		Ø5.5	
Angle	15°	15°	25°	15°	25°
Cuff 1.5	-	SSAA 451515AH	SSAA 451525AH	SSAA 551515AH	SSAA 551525AH
2.0	UNSA 402015AH	SSAA 452015AH	SSAA 452025AH	SSAA 552015AH	SSAA 552025AH
3.0	-	SSAA 453015AH	SSAA 453025AH	SSAA 553015AH	SSAA 553025AH
4.0	UNSA 404015AH	SSAA 454015AH	SSAA 454025AH	SSAA 554015AH	SSAA 554025AH
5.0	-	SSAA 455015AH	SSAA 455025AH	SSAA 555015AH	SSAA 555025AH

N R W Hex B

Fixture Size	Narrow	Regular - Wide			
Cuff 1.5	-	SSAA 451515BH	SSAA 451525BH	SSAA 551515BH	SSAA 551525BH
2.0	UNSA 402015BH	SSAA 452015BH	SSAA 452025BH	SSAA 552015BH	SSAA 552025BH
3.0	-	SSAA 453015BH	SSAA 453025BH	SSAA 553015BH	SSAA 553025BH
4.0	UNSA 404015BH	SSAA 454015BH	SSAA 454025BH	SSAA 554015BH	SSAA 554025BH
5.0	-	SSAA 455015BH	SSAA 455025BH	SSAA 555015BH	SSAA 555025BH

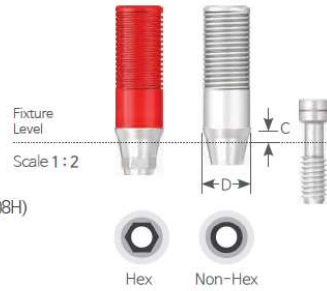
N R W Non-Hex

Fixture Size	Narrow	Regular - Wide			
Cuff 1.5	-	SSAA 451515N	SSAA 451525N	SSAA 551515N	SSAA 551525N
2.0	UNSA 402015N	SSAA 452015N	SSAA 452025N	SSAA 552015N	SSAA 552025N
3.0	-	SSAA 453015N	SSAA 453025N	SSAA 553015N	SSAA 553025N
4.0	UNSA 404015N	SSAA 454015N	SSAA 454025N	SSAA 554015N	SSAA 554025N
5.0	-	SSAA 455015N	SSAA 455025N	SSAA 555015N	SSAA 555025N

UCLA Abutment

UCLA CCM Abutment Hex Non-Hex

- After the customization, **non-precious metal alloy will be casted only.**
- Uses 1,2 Hex Driver
- Packing Unit : Abutment + Abutment Screw (N UNSAS 1407H, R W SSC 2008H)
- Tightening Torque : 30~35Ncm



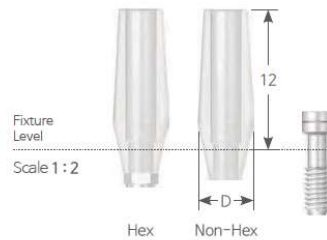
	N R W		Unit mm Scale 1 : 1.25			
Fixture Size	Narrow		Regular · Wide			
Diameter	Ø4.0	Ø4.0	Ø4.0	Ø4.0	Ø4.5	Ø4.5
Hex	Hex	Non-Hex	Hex	Non-Hex	Hex	Non-Hex



Cuff 1	UNSCCA 4010H	UNSCCA 4010N	CCSS 4010H [H]	CCSS 4010N [H]	CCSS 4510H [H]	CCSS 4510N [H]
3	UNSCCA 4030H	UNSCCA 4030N	-	-	CCSS 4530H [H]	CCSS 4530N [H]

UCLA Plastic Abutment Hex Non-Hex

- After the customization, **non-precious metal alloy will be casted only.**
- Uses 1,2 Hex Driver
- Packing Unit : Abutment + Abutment Screw (Hex) (SSC2008H)
- Tightening Torque : Tightening smoothly before casting,
30~35Ncm after casting



	R W Length 12		Unit mm Scale 1 : 1.25	
Fixture Size	Regular · Wide			
Diameter	Ø4.5	Ø4.5	Ø5.5	Ø5.5
Type	Hex	Non-Hex	Hex	Non-Hex



SSPA 4512H SSPA 4512N SSPA 5512H SSPA 5512N

IMPLANT SYSTEM
UPI INT. SUBMERGED SYSTEM

Cement – Retained Restorations

Solid Abutment

Fixture - **N R W**



Plastic Coping
035P



Solid Abutment Analog
035P



Impression Cap
034P



Solid Abutment
033P



Protect Cap
034P



UF(II) Narrow
013P



UF(II) Regular
014P



UF(II) Wide
016P



Cover Screw
017P

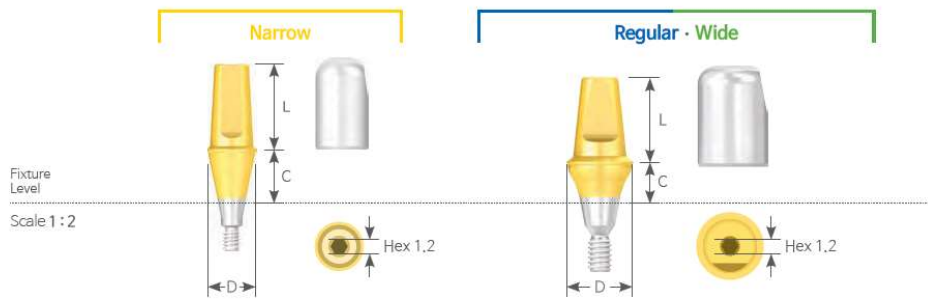


Healing Abutment
018P

Solid Abutment

► Abutment of cement retained type that uses dental cement to fix prosthesis in place

- Abutment and screw are in one-piece structure.
- Taking impression at abutment level.
- Gold colored gingival area for esthetic purpose
- Uses 1.2 Hex Driver / Solid Abutment Driver
- Packing Unit : Abutment + Protect Cap
- Tightening Torque : **N** 20Ncm, **R W** 30~35Ncm



	N	R	W		
	Narrow		Regular - Wide		
Fixture Size					
Diameter	Ø4.0	Ø4.5	Ø5.5	Ø6.5	Ø7.5
Length 4 Cuff 1	-	SSSA 45104	SSSA 55104	SSSA 65104	SSSA 75104
2	-	SSSA 45204	SSSA 55204	SSSA 65204	SSSA 75204
3	-	SSSA 45304	SSSA 55304	SSSA 65304	SSSA 75304
4	-	SSSA 45404	SSSA 55404	SSSA 65404	SSSA 75404
5	-	SSSA 45504	SSSA 55504	SSSA 65504	SSSA 75504
Length 5.5 Cuff 1	UNSSA 40105	SSSA 45105	SSSA 55105	SSSA 65105	SSSA 75105
2	UNSSA 40205	SSSA 45205	SSSA 55205	SSSA 65205	SSSA 75205
3	UNSSA 40305	SSSA 45305	SSSA 55305	SSSA 65305	SSSA 75305
4	UNSSA 40405	SSSA 45405	SSSA 55405	SSSA 65405	SSSA 75405
5	UNSSA 40505	SSSA 45505	SSSA 55505	SSSA 65505	SSSA 75505
6	UNSSA 40605	-	-	-	-
7	UNSSA 40705	-	-	-	-
Length 7 Cuff 1	UNSSA 40107	SSSA 45107	SSSA 55107	SSSA 65107	SSSA 75107
2	UNSSA 40207	SSSA 45207	SSSA 55207	SSSA 65207	SSSA 75207
3	UNSSA 40307	SSSA 45307	SSSA 55307	SSSA 65307	SSSA 75307
4	UNSSA 40407	SSSA 45407	SSSA 55407	SSSA 65407	SSSA 75407
5	UNSSA 40507	SSSA 45507	SSSA 55507	SSSA 65507	SSSA 75507
6	UNSSA 40607	-	-	-	-
7	UNSSA 40707	-	-	-	-

Solid Abutment Components

Protect Cap

► Used to protect abutment in the patient's mouth and minimize discomfort for the patient.

- Can be applied to substructure of temporary prosthesis.
- Convenient locking mechanism.



	N	R	W		
Fixture Size	Narrow		Regular - Wide		
Abut. Diameter	Ø4.0	Ø4.5	Ø5.5	Ø6.5	Ø7.5
Abut. Length 4	-	SSAC 4504	SSAC 5504	SSAC 6504	SSAC 7504
5.5	UNSA 4005	SSAC 4505	SSAC 5505	SSAC 6505	SSAC 7505
7	UNSA 4007	SSAC 4507	SSAC 5507	SSAC 6507	SSAC 7507

Unit mm | Scale 1:2

Impression Cap

► Used for taking impression of Solid Abutment.

- Different coloring provides easy identification for abutment diameter.
- Convenient locking mechanism.



	N	R	W	Length 11	
Fixture Size	Narrow		Regular - Wide		
Abut. Diameter	Ø4.0	Ø4.5	Ø5.5	Ø6.5	Ø7.5

Unit mm | Scale 1:1,25



Solid Abutment Analog

- Solid Abutment is formed on working model.
- Different coloring provides easy identification for abutment diameter.



Scale 1 : 2

	N	R	W		
Fixture Size	Narrow		Regular · Wide		
Abut. Diameter	Ø4.0	Ø4.5	Ø5.5	Ø6.5	Ø7.5

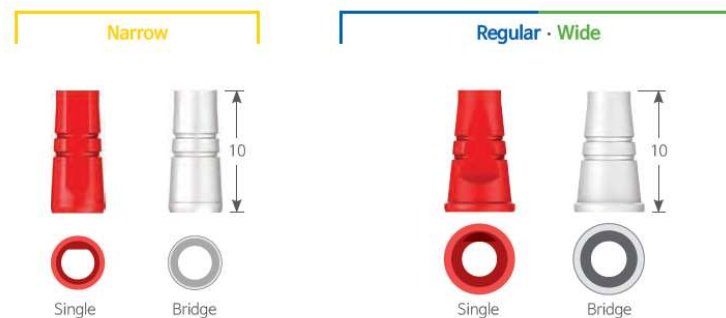
Unit mm | Scale 1 : 1.25



Abut. Length 4	–	SSAA 4504	SSAA 5504	SSAA 6504	SSAA 7504
5.5	UNSSAA 4005	SSAA 4505	SSAA 5505	SSAA 6505	SSAA 7505
7	UNSSAA 4007	SSAA 4507	SSAA 5507	SSAA 6507	SSAA 7507

Plastic Coping

- ▶ Can be used as prosthesis' frame work by installing Solid Abutment Analog.
- Different coloring provides easy identification on types of case.



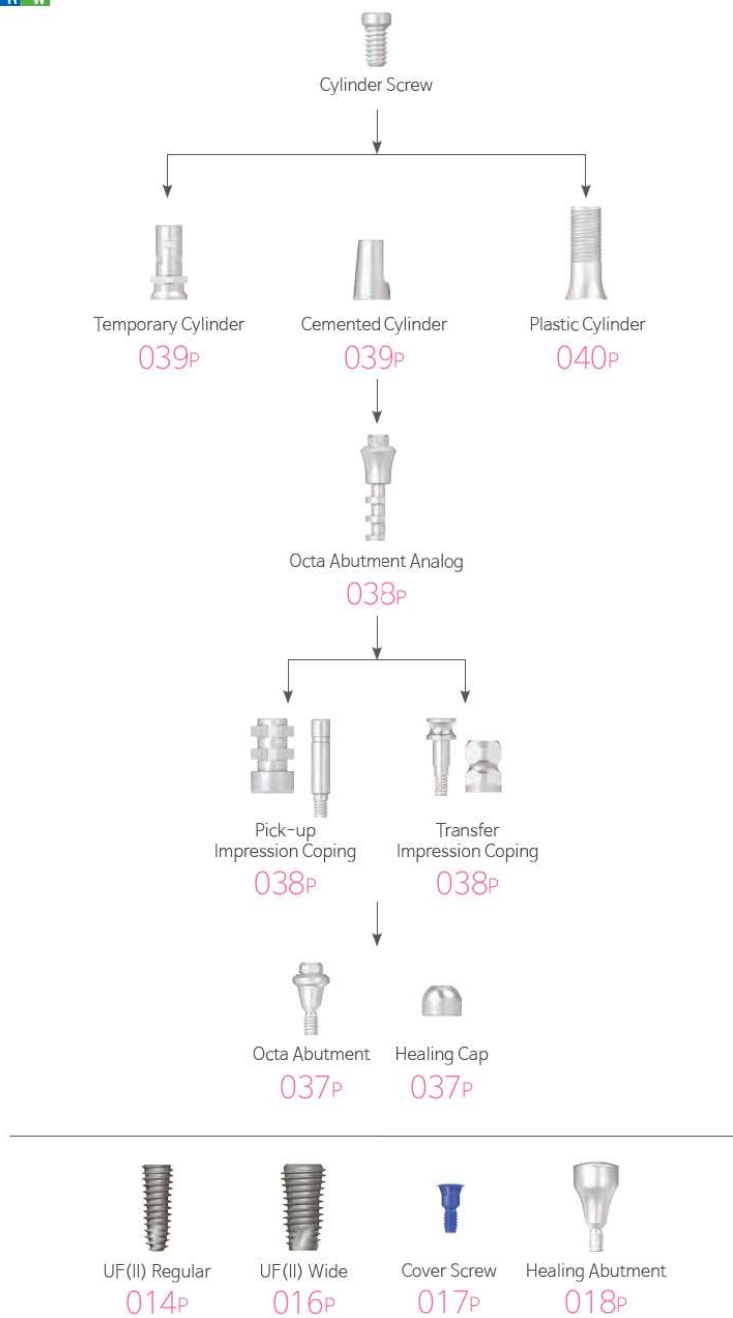
	N	R	W	Length 10	
Fixture Size	Narrow		Regular · Wide		
Abut. Diameter	Ø4.0	Ø4.5	Ø5.5	Ø6.5	Ø7.5
● Single	UNSAAP 4010S	SSAP 4510S	SSAP 5510S	SSAP 6510S	SSAP 7510S
○ Bridge	UNSAAP 4010B	SSAP 4510B	SSAP 5510B	SSAP 6510B	SSAP 7510B

Unit mm | Scale 1 : 2

Cement / Screw – Retained Restorations

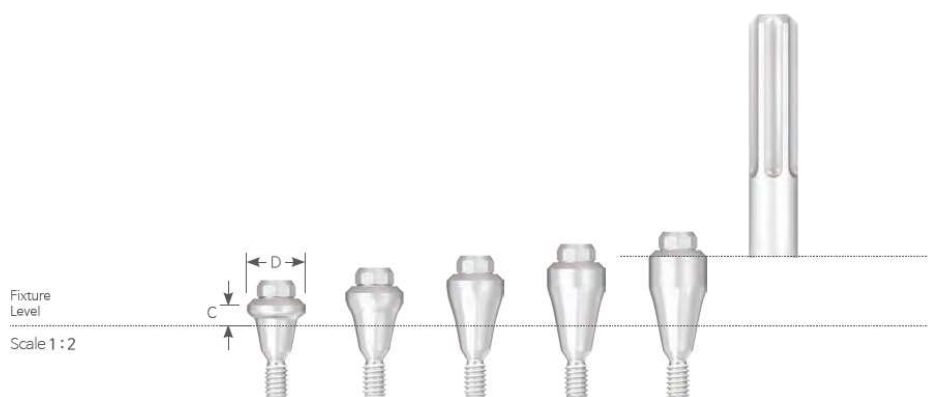
Octa Abutment

Fixture - R W



Octa Abutment

- ▶ Used to create screw retained prosthesis on poor path bridge case.
- Convert internal connection to external connection, and then use cylinder on it for prosthesis.
- Uses Octa Abutment Driver (HD 3006A-Short / HD 3012A-Long)
- Packing Unit : Octa Abutment + Abutment Holder (SSOAH 4020) (Convenient to install in patient's Mouth)
- Tightening Torque : 30~35Ncm



R W		Unit:mm Scale 1:2		
Fixture Size	Regular · Wide			
Diameter	Ø4.8	Ø6.0	Ø6.5	
Cuff 1.5	SSOA 4815	SSOA 6015	SSOA 6515	
2.5	SSOA 4825	SSOA 6025	SSOA 6525	
3.5	SSOA 4835	SSOA 6035	SSOA 6535	
4.5	SSOA 4845	SSOA 6045	SSOA 6545	
5.5	SSOA 4855	SSOA 6055	SSOA 6555	

Healing Cap

- ▶ To protect Octa Abutment in oral, and minimize the discomfort for patient.
- Uses 1,2 Hex Driver
- Packing Unit : Healing Cap + Cylinder Screw (STI 2004H)
- Tightening Torque : 20Ncm

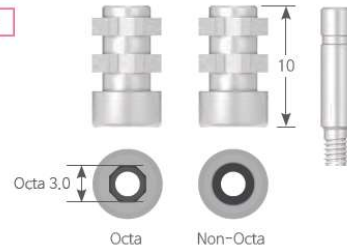


R W		Unit:mm Scale 1:2		
Fixture Size	Regular · Wide			
Abut. Diameter	Ø4.8	Ø6.0	Ø6.5	
	HCI 48504	HCI 60704	HCI 65704	

Octa Abutment Components

Pick-up Impression Coping Octa Non-Octa

- ▶ Custom tray is used for pick-up type of impression taking.
- Asymmetry structure to minimize close interruption
- Uses 1.2 Hex Driver
- Packing Unit : Pick-up Impression Coping + Guide Pin (POI 2610)



R W Length 10		Unit mm Scale 1:2		
Fixture Size	Regular · Wide			
Abut. Diameter	Ø4.8	Ø6.0	Ø6.5	
Octa	IPI 48610	IPI 60710	IPI 65710	
Non-Octa	IPI 48610N	IPI 60710N	IPI 65710N	

Transfer Impression Coping

- ▶ Ready-made tray is used for transfer type of impression taking.
- Double sided structure which elevates the quality
- Uses 1.2 Hex Driver
- Packing Unit : Transfer Impression Coping + Coping Screw (IOTI 48010S)



R W Length 10		Unit mm Scale 1:2		
Fixture Size	Regular · Wide			
Abut. Diameter	Ø4.8	Ø6.0	Ø6.5	
	IOTI 48010	IOTI 60010	IOTI 65010	

Octa Abutment Analog

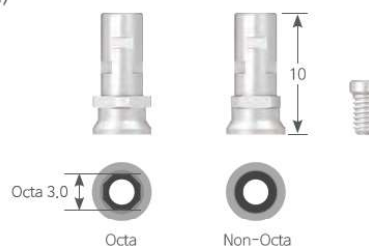
- ▶ Octa Abutment is formed on working model.



R W		Unit mm Scale 1:2		
Fixture Size	Regular · Wide			
Abut. Diameter	Ø4.8	Ø6.0	Ø6.5	
Length 10	-	RCI 60014	-	
12	RCI 48014	-	RCI 65014	

Temporary Cylinder Octa Non-Octa

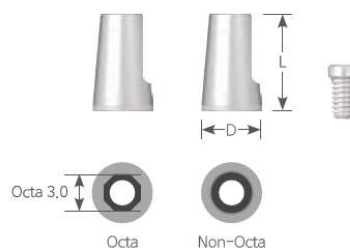
- Uses 1.2 Hex Driver
- Packing Unit : Temporary Cylinder + Cylinder Screw (STI 2004H)
- Tightening Torque : 20Ncm



R W		Length 10			Unit:mm Scale 1:2
Fixture Size		Regular · Wide			
Abut. Diameter		Ø4.8	Ø6.0	Ø6.5	
Octa		ITC 48010	ITC 60010	ITC 65010	
Non-Octa		ITC 48010N	ITC 60010N	ITC 65010N	

Cemented Cylinder Octa Non-Octa

- Uses 1.2 Hex Driver
- Packing Unit : Cemented Cylinder + Cylinder Screw (Hex) (STI 2004H)
- Tightening Torque : 20Ncm



R W						Unit:mm Scale 1:2
Fixture Size		Regular · Wide				
Abut. Diameter		Ø4.8	Ø4.8	Ø6.0	Ø6.5	
Cylinder Diameter		Ø5.0	Ø5.8	Ø6.4	Ø6.9	
Length		8	8	9	9	
Octa		ICC 48508	ICC 48588	ICC 60649	ICC 65309	
Non-Octa		ICC 48508N	ICC 48588N	ICC 60649N	ICC 65309N	

Octa Abutment Components

Plastic Cylinder Octa Non-Octa

- After the customization, **non-precious metal alloy will be casted only.**
- Uses 1.2 Hex Driver
- Packing Unit : Plastic Cylinder + Cylinder Screw (STI 2004H)
- Tightening Torque : 20Ncm



R W		Unit:mm Scale:1:2		
Fixture Size	Regular · Wide			
Abut. Diameter	Ø4.8	Ø6.0	Ø6.5	
Octa ●	API 48514	API 60714	API 65714	
Non-Octa ○	API 48514N	API 60714N	API 65714N	

Overdenture Restorations

Ball Abutment : O-Ring

Fixture - **R** **W**



Overdenture Restorations

Ball Abutment : OT Cap / Locator

Fixture - **N R W**



Stainless Steel Housing

043P



OT Cap

043P



Ball Abutment Analog

042P



Ball Abutment

041P



Denture Cap

045P



Male

044P



Locator

044P



UF(II) Narrow

011P



UF(II) Regular

012P



UF(II) Wide

014P



Cover Screw

015P



Healing Abutment

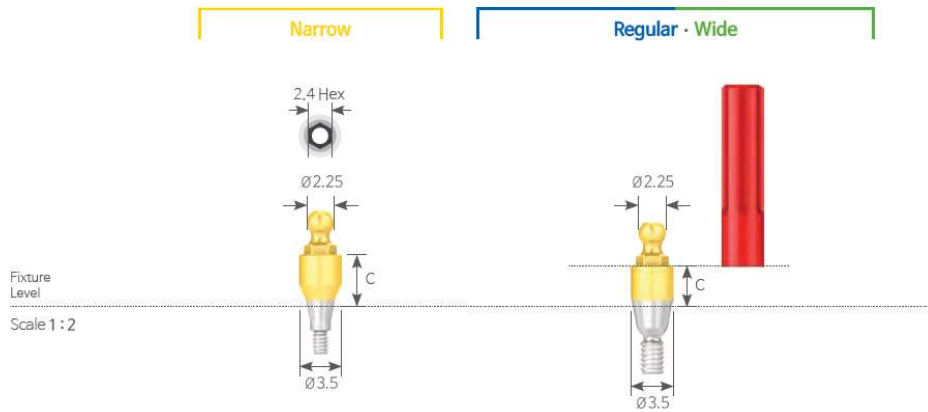
016P

Ball Abutment

► Used to create overdenture for edentulous patient.

- Post partis coloring in gold
- Path recovery to the maximum of 20°
- Uses Ball Abutment Driver (HD 2406A, HD 2412A)
- Packing Unit : Ball Abutment + Abutment Holder (BAH 3520 + Abutment Holder is convenient to install in patient's mouth) + O-Ring (OR 04500)
- Tightening Torque : **N** 20Ncm, **R W** 30~35Ncm

IMPLANT SYSTEM
UPII INT. SUBMERGED SYSTEM



	N	R	W	
Fixture Size	Narrow		Regular · Wide	
Diameter	Ø3.5		Ø3.5	
Cuff 1	UNSBA 3510		SSBA 3510	
2	UNSBA 3520		SSBA 3520	
3	UNSBA 3530		SSBA 3530	
4	UNSBA 3540		SSBA 3540	
5	UNSBA 3550		SSBA 3550	
6	UNSBA 3560		SSBA 3560	
7	UNSBA 3570		-	

Unit:mm

Ball Abutment Components

Ball Abutment Analog

► Provides anchor point for ball abutment on working model.



N R W Length 10 Unit mm | Scale 1:2

Fixture Size	Narrow	Regular · Wide
Abut. Diameter	Ø3.5	Ø3.5
	UNSBAA 3510	SABA 3510

Retainer

- Advantageous when occlusal distance is low compare to Ball Cap.
- Packing Unit : Retainer + O-Ring (OR 0450B + OR 0450O)

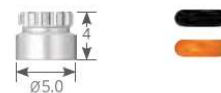


N R W D Ø5.0 Length 2 Unit mm | Scale 1:2

Fixture Size	Narrow · Regular · Wide
	RT 0502

Ball Cap

- Outstanding consistency and clip-on
- Packing Unit : Ball Cap + O-Ring (OR 0450B + OR 0450O)



N R W D Ø5.0 Length 4 Unit mm | Scale 1:2

Fixture Size	Narrow · Regular · Wide
	BC 5004

O-Ring

- Black : For dental lab use
- Orange : For clinic use (over 6Ncm)
- Packing Unit : O-Ring 1 Piece



N R W D Ø4.5 Unit mm | Scale 1:2

Fixture Size	Narrow · Regular · Wide	
Color	OR 0450B ● Black	OR 0450O ● Orange

OT Cap Orange

- Excellent retention is obtained with broader contact area compared to o-ring.
- Packing Unit : 6 Piece
- Caution) There is no separate cap for dental lab.
Replace the cap after making the denture.



N R W D Ø4.1 Length 2.6 Unit:mm | Scale 1:2

Fixture Size Narrow · Regular · Wide

049PCNDR8

Stainless Steel Housing

- The new stainless steel housing decrease the size that can provide better stability and retention with resin.
- Packing Unit : 2 Pieces



N R W D Ø4.5 Length 3 Unit:mm | Scale 1:2

Fixture Size Narrow · Regular · Wide

041CAN

Insertion Tool For Caps

- ▶ Used for insertion the cap in the stainless housing.
- Possible to use both tip in a normal and micro situation.
- Packing Unit : Handle + Tip



N R W

Fixture Size Narrow · Regular · Wide

085IAC

Remover Tool For Caps

- ▶ Used for removing the cap from the stainless housing
- Possible to use in both normal and micro situation with one tool.



N R W

Fixture Size Narrow · Regular · Wide

091EC

Locator

- Upgraded from the conventional method used (O-Ring System, Bar Type System, etc.) by connecting a locator abutment to the fixture
- and used by connecting to / separating from male part connected to the denture

Locator Abutment

- Uses Locator Driver
- Tightening Torque : **N** 20Ncm, **R W** 30~35Ncm



		N	R	W	Unit:mm
Fixture Size		Narrow		Regular · Wide	
Cuff 1		02961		02967	
2		02962		02968	
3		02963		02969	
4		02964		02970	
5		02965		02971	
6		02966		02972	

Locator Components

Replacement Male

- Path recovery to the maximum of 20°
- Packing Unit : 1ea

		N	R	W
Retention		1.5 LBS	3 LBS	5 LBS
Intensity		LOC 8529 Weak	LOC 8527 Intermediate	LOC 8524 Strong

Extended Replacement Male

- Path recovery to the maximum of 20°~40°
- Packing Unit : 1ea

		N	R	W	
Retention		0 LBS	1 LBS	2 LBS	4 LBS
Intensity		LOC 8558 Weak	LOC 8548 Intermediate	LOC 8915 Intermediate	LOC 8547 Strong

Male Package

- Packing unit : 2set
 Denture cap(LOC 8510) +
 Black Processing Male(LOC 8515) +
 Replacement Male(White, Pink, Blue) +
 Block-Out Spacer(LOC 8514)
- Choose the Male of proper retention depends on the case
- Replace the Male using by Locator Core Tool



N R W	Type	2 Set 08519-2
-------	------	------------------

Denture cap

- Packing Unit : 1ea



N R W	Fixture Size	Narrow · Regular · Wide
LOC 8510		

Black Processing Male

- Use during process of prosthesis fabrication.
- Packing Unit : 1ea



N R W	Fixture Size	Narrow · Regular · Wide
LOC 8515		

Block-Out Spacer

- Use for sealing the space between Abutment and Denture cap.
- Packing Unit : 1ea



N R W	Fixture Size	Narrow · Regular · Wide
LOC 8514		

Locator

Locator Core Tool

- Used to connect and separate Replacement Male from Denture cap
- Divided into three pieces and can be used for Locator Abutment and hand drive.



N R W

Code

LOC 8393

Locator Square Drive Torque Wrench Driver

- Torque Driver for Locator Abutment

N R W

Unit:mm | Scale:1:1

Code

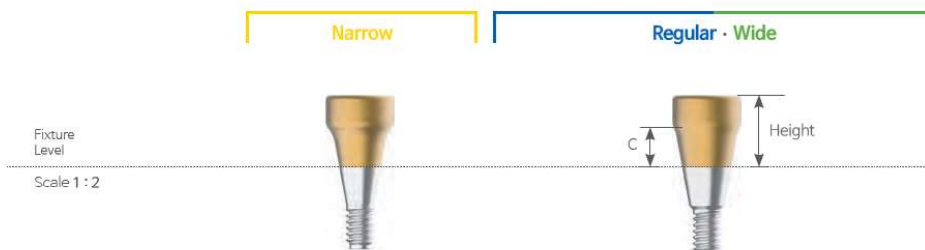
LOC 8926

LOC 8927



MagDen Abutment

- Used for making overdenture
- Easy detachment of equipment with self-recovery function by magnetism
- Simple structure for easy maintenance
- Uses 1.2 Hex Driver

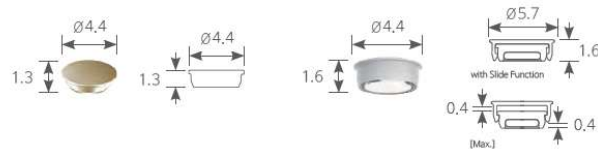


		N	R	W		
Fixture Size		Narrow		Regular · Wide		
Height 3 Cuff 2		SADO 5120		SATR 1120		
Height 4 Cuff 3		SADO 5130		SATR 1130		
Height 5 Cuff 4		SADO 5140		SATR 1140		
Height 6 Cuff 5		SADO 5150		SATR 1150		
Height 7 Cuff 6		SADO 5160		SATR 1160		
Height 8 Cuff 7		SADO 5260		SATR 1260		
Height 9 Cuff 8		SADO 5360		SATR 1360		
Height 10 Cuff 9		SADO 5460		SATR 1460		
Height 11 Cuff 10		SADO 5560		SATR 1560		
Height 12 Cuff 11		SADO 5660		SATR 1660		

Unit mm | Scale 1 : 2

Magnetic Assembly

- Attachment for Magnetic Abutment
- Flat Type : Flat design
- SX Type : Path recovery to the maximum of 8°



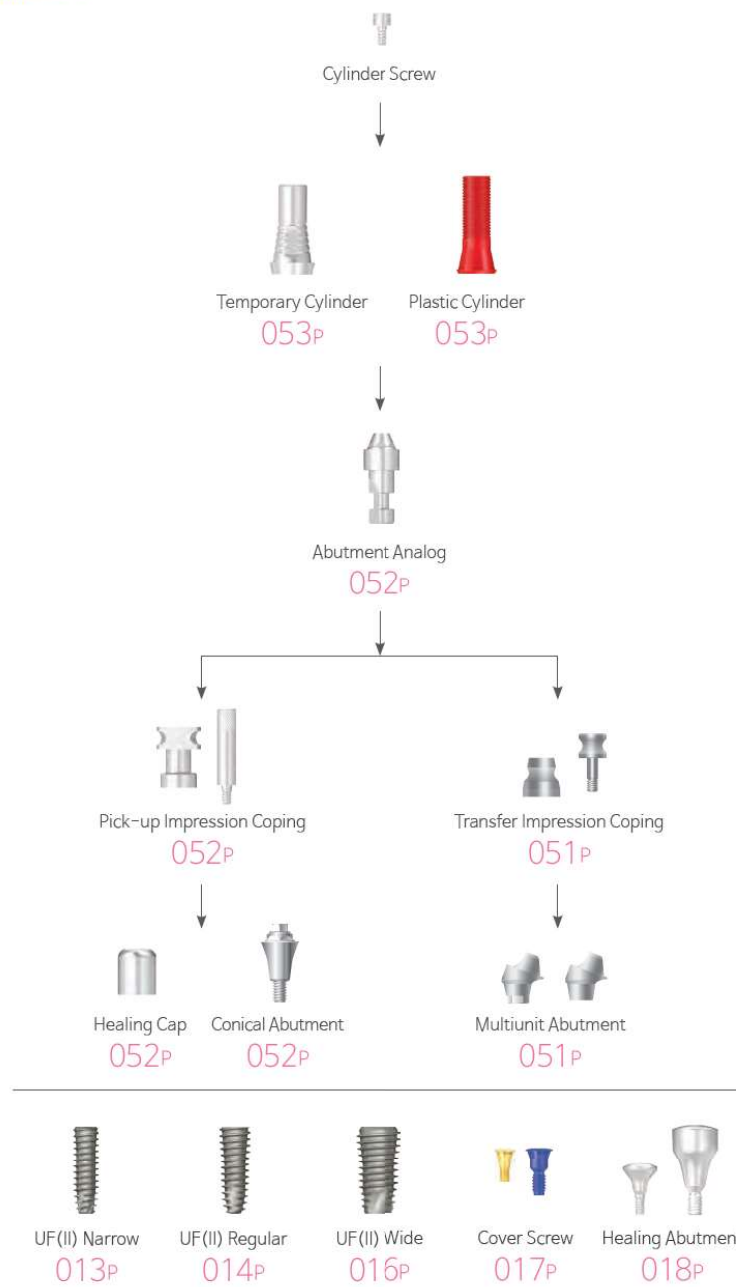
		N	R	W		
Type		Flat Type		SX Type		
Code		MAGFIT DXFL		MAGFIT SX-L		

Unit mm | Scale 1 : 2

Cement / Screw – Retained Restorations

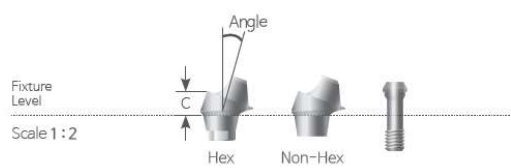
Multiunit / Conical Abutment

Fixture - **N R W**



Multiunit Abutment Hex Non-Hex

- Packing Unit : Abutment + Screw (MAS2006S) + Holder (MAH1425)
- Tightening Torque : 30~35Ncm



IMPLANT SYSTEM
UFI INT. SUBMERGED SYSTEM

N R W Hex

Unit mm

Fixture Size	Narrow	Regular · Wide	
Angle	20°	20°	30°
Cuff 2.5	-	UMA 482520H	-
3	UNSMUA 483020H	UMA 483020H	UMA 483030H
4	UNSMUA 484020H	UMA 484020H	UMA 484030H
5	UNSMUA 485020H	UMA 485020H	UMA 485030H

N R W Non-Hex

Fixture Size	Narrow	Regular · Wide	
Angle	20°	20°	30°
Cuff 2.5	-	UMA 482520N	-
3	UNSMUA 483020N	UMA 483020N	UMA 483030N
4	UNSMUA 484020N	UMA 484020N	UMA 484030N
5	UNSMUA 485020N	UMA 485020N	UMA 485030N

Multiunit Screw Driver



N R W D Ø1.4 Length 25

Unit mm | Scale 1 : 1.25

Code	MSD 1425
------	----------

Transfer Impression Coping



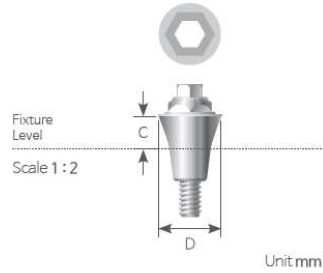
N R W

Unit mm | Scale 1 : 1.25

Code	ICC 4805 / ICCS 1407
------	----------------------

Conical Abutment

- Maintains screw and prosthetic aesthetics.
- For fabrication of prosthetic on cylinder after abutment has been placed.
- Up to 48° path angle
- Uses $\varnothing 2.0$ Conical Abutment Driver (HD 2012A)
- Tightening Torque : 30~35Ncm



N R W D $\varnothing 4.8$		
Fixture Size	Narrow	Regular · Wide
Cuff 1	UNSKA 4801	UCA 4801
2	UNSKA 4802	UCA 4802
3	UNSKA 4803	UCA 4803

Healing Cap

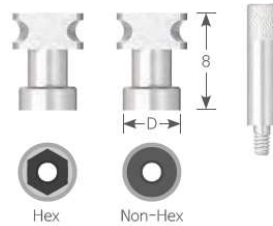
- Protects the Conical Abutment and promotes patient healing.
- Uses 1.2 Hex Driver
- Tightening Torque : 20Ncm



N R W D $\varnothing 1.4$ Length 4.5		Unit mm Scale 1:2
Code	HCN 40504	

Pick-up Impression Coping

- Create final impression of Conical Abutment on Impression Coping.
- For use with pick-up type custom trays.
- Packing Unit : Pick-up Impression Coping + Guide Pin



N R W D $\varnothing 4.8$ Length 8			Unit mm Scale 1:2
Type	Hex	Non Hex	
	IPN 40508	IPN 40508N	
Guide Pin	PCN 40310	PCN 40310S	

Abutment Analog

- Provides anchor point for Conical Abutment.



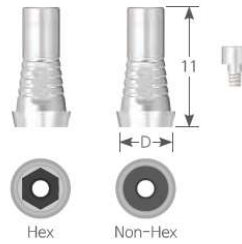
N R W D $\varnothing 4.8$ Length 12		Unit mm Scale 1:1.25
Code	RCN 40412	

Multiunit / Conical Abutment Components

IMPLANT SYSTEM
UFI INT. SUBMERGED SYSTEM

Temporary Cylinder Hex Non-Hex

- For fabricating temporary prosthetics on top of Conical Abutments.
- Simple customization & Minimizes restriction
- Uses 1.2 Hex Driver
- Packing Unit : Temporary Cylinder + Cylinder Screw (SHN 1403)
- Tightening Torque : 20Ncm

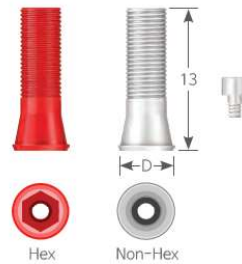


N R W D Ø5.4 Length 11 Unit:mm | Scale 1:18

Type	Hex	Non Hex
	TCN 40511	TCN 40511N

Plastic Cylinder Hex Non-Hex

- Cast in premium gold alloy after customization.
- Less precise than the gold cylinder.
- Uses 1.2 Hex Driver
- Packing Unit : Plastic Cylinder + Cylinder Screw (SI IN 1403)
- Tightening Torque : 20Ncm



N R W D Ø5.0 Length 13 Unit:mm | Scale 1:18

Type	Hex	Non Hex
	APN 40514S	APN 40514SN

Cylinder Screw



N R W Length 3 Unit:mm | Scale 1:2

Code	SSN 1403

Conical Screw Driver



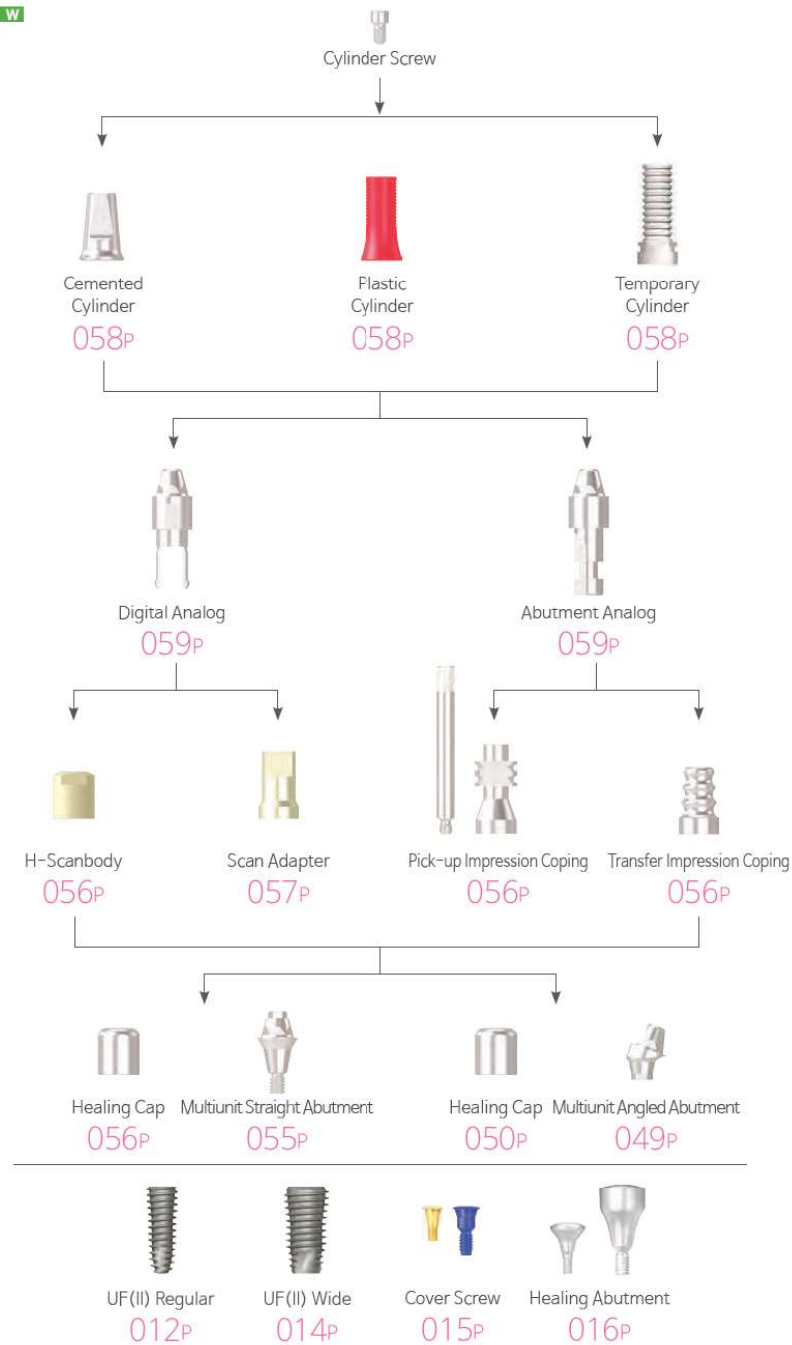
N R W Unit:mm | Scale 1:1

Code	HD 2012A

Cement / Screw – Retained Restorations

Multiunit Abutment

Fixture - R W



Multiunit Straight Abutment

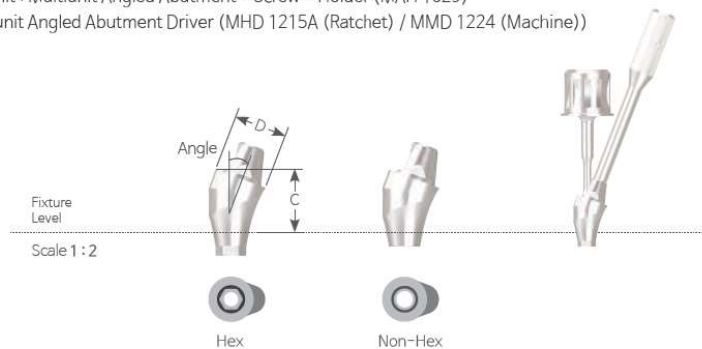
- ▶ Use it to fabricate cement and screw-retained prosthesis in a bridge case with different path.
- Tightening Torque : 30Ncm
- Packing unit : Multiunit Straight Abutment + Holder (MSAH 4820)
- Use $\varnothing 2.0$ Multiunit Straight Abutment Driver (HD 2012A (Same as Conical Abutment Driver))



Multiunit Angled Abutment

Hex Non-Hex

- ▶ Use it to fabricate cement and screw-retained prosthesis in a bridge case with different path.
- Multiunit Angled Abutment and Fixture (UFII Regular / Wide) are fastened with the Multiunit Angled Abutment Screw (MASC 2006).
- Multiunit Angled Abutment is path compensate Maximum up to 60°
- Tightening Torque : 30Ncm
- Packing unit : Multiunit Angled Abutment + Screw + Holder (MAH 1629)
- Use Multiunit Angled Abutment Driver (MHD 1215A (Ratchet) / MMD 1224 (Machine))



R	W	D	$\varnothing 4.8$	Unit mm			
Type	Hex		Non-Hex				
Angle	20°	30°	20°	30°			
Cuff 2.5	MAA 482520H	-	MAA 482520N	-			
3.5	MAA 483520H	MAA 483530H	MAA 483520N	MAA 483530N			
4.5	MAA 484520H	MAA 484530H	MAA 484520N	MAA 484530N			
5.5	MAA 485520H	MAA 485530H	MAA 485520N	MAA 485530N			

Multiunit Abutment Components

Healing Cap

- To protect Abutment and minimize the discomfort in the patient's mouth.
- Uses 1.2 Hex Driver
- Tightening Torque : 5~8Ncm



Unit mm | Scale 1:2

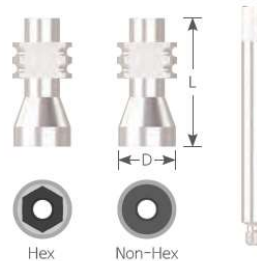
R W D Ø5.0 Length 5.5

Code

MHC 5005

Pick-up Impression Coping

- Pick-up type Impression Coping to take an abutment level impression.
- Used with an open tray
- Only for Multiunit Abutment
- Uses 1.2 Hex Driver
- Packing Unit : Pick-up Impression Coping + Guide Pin (MGP 1615)
- Tightening Torque : 5~8Ncm



Unit mm | Scale 1:2

R W D Ø4.8 Length 11

Type

Hex

Non Hex

MPI 4811H

MPI 4811N

Transfer Impression Coping

- Transfer type Impression Coping to take an abutment level impression.
- Used with Closed Tray
- Only for Multiunit Abutment
- Uses 1.2 Hex Driver
- Tightening Torque : 5~8Ncm



Unit mm | Scale 1:2

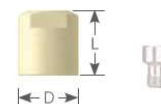
R W D Ø4.8 Length 8

Code

MTI 4808N

H-Scanbody

- Only use Multiunit Straight(MSA) / Multiunit Angled(MAA) Abutment
- Use for digital Impression taking
- Uses 1.2 Hex Driver
- Packing Unit : H-Scan body + Screw (MHSBSC 1603)
- Tightening Torque : 5~8Ncm



Unit mm | Scale 1:2

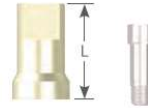
R W D Ø5.0 Length 5.6

Code

MHSB 5005H

Scan Adapter

- Only use Multiunit Straight(MSA) / Multiunit Angled(MAA) Abutment
- Uses 1.2 Hex Driver
- Packing Unit : Scan Adapter + Screw (MCSC 1606)
- Tightening Torque : 5~8Ncm



R W D Ø4.8 Length 8

Unit:mm | Scale 1:2

Code

MSCAN 4808H

Cylinder Protector

- Protect inner surface of cylinder while producing the denture from resin and etc.



R W D Ø4.8 Length 14.2

Unit:mm | Scale 1:1.5

Code

MCP 4814

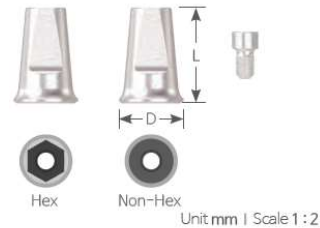
IMPLANT SYSTEM

UFII INT. SUBMERGED SYSTEM

Multunit Abutment Components

Cemented Cylinder Hex Non-Hex

- Used to fabricate cement-retained prosthesis.
- Uses 1.2 Hex Driver
- Packing Unit : Cemented Cylinder + Screw (MSC 1604)
- Tightening Torque : 20Ncm



R **W** **D** Ø5.4 Length 8

Type	Hex	Non Hex
	MCEM 5408H	MCEM 5408N

Plastic Cylinder Hex Non-Hex

- Used to fabricate prosthesis with casting with non-precious metal alloys.
- Color Type : Hex type (Red), Non-Hex type (White)
- Uses 1.2 Hex Driver
- Packing Unit : Plastic Cylinder + Screw (MSC 1604)
- Tightening Torque : 20Ncm

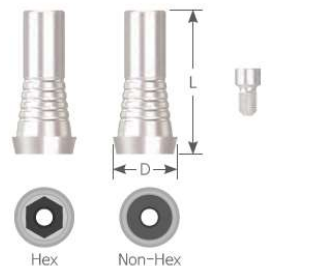


R **W** **D** Ø5.0 Length 10

Type	Hex	Non Hex
	MPLA 5010H	MPLA 5010N

Temporary Cylinder Hex Non-Hex

- Used to fabricate temporary prosthesis.
- Uses 1.2 Hex Driver
- Packing Unit : Temporary Cylinder+ Screw (MSC 1604)
- Tightening Torque : 20Ncm



R **W** **D** Ø5.4 Length 12

Type	Hex	Non Hex
	MTEM 5412H	MTEM 5412N

Cylinder Screw



R **W** Length 4

Unit mm | Scale 1:2

Code	MSC 1604
------	----------

Abutment Analog

· Provides anchor point for Multiunit Abutment on working model.



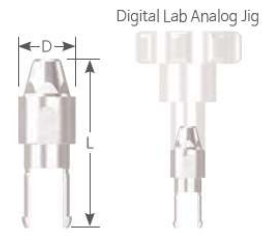
R **W** **D** Ø4.8 Length 15

Unit mm | Scale 1:2

Code	MLA 4815H
------	-----------

Digital Analog

· Provides anchor point for Multiunit Abutment on 3D printed model.
· Uses Digital Lab Analog Jig (MDAJ 00)



R **W** **D** Ø4.8 Length 14.2

Unit mm | Scale 1:2

Code	MDA 4813
------	----------

Surgical Tool

Screw Driver

· Only uses Multiunit Angled Abutment (ex : MAA 0000)

● Sold separately
Unit mm | Scale 1:1

K Hex 1.2

Type	Machine	Ratchet
Code	MMD 1224	MHD 1215A



Digital Abutment

Digital abutment that is **better** than stock abutments and more **convenient** than customized abutments.

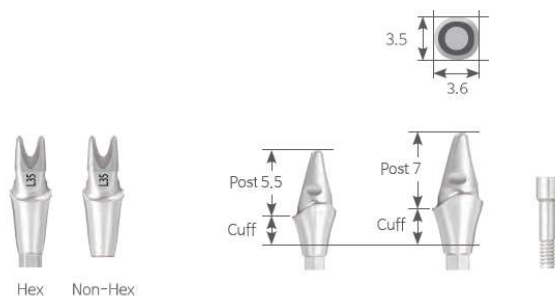


	Lower Incisor	Upper Incisor	Canine	Pre-Molar	Molar
Cross Section					
Cervical Margin Cross Section					
Facial Side					
Connection	UF(II) Narrow	UF(II) Narrow / UF(I)	UF(II)	UF(II)	UF(II)
Cervical Margin Dimension (Mesiodistal x faciolingual)	5 X 5.2	6.1 X 5.7	5.3 X 6.3	5.8 X 6.8	7.3 X 7.8
Ratio (%)	70%	70% / 85%	85%	85%	85%

Lower Incisor

UFII Narrow Angled Abutment Hex Non-Hex

- Packing Unit : Abutment + Abutment Screw
- If a protect cap is included in the abutment + abutment screw, model name + [C]
- Abutment Screw : UNSAS 1407H (Only compatible with the screw included)



N Post 5.5					Unit mm Scale 1 : 1.25
Cuff	2.5	3.5	4.5	5.5	Protect Cap

Hex	DLN 2555H	DLN 3555H	DLN 4555H	DLN 5555H	DCLN 55
Non-Hex	DLN 2555N	DLN 3555N	DLN 4555N	DLN 5555N	DCLN 55
Marking	L 25	L 35	L 45	L 55	-

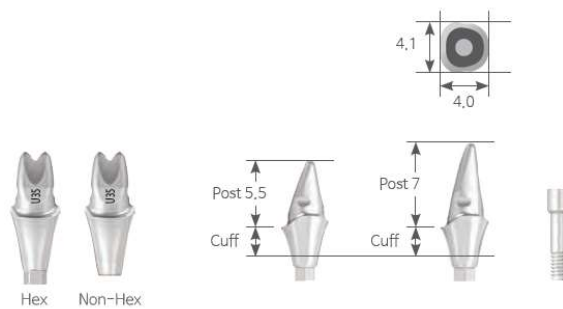
N Post 7.0					
Cuff	2.5	3.5	4.5	5.5	Protect Cap






Hex	DLN 2570H	DLN 3570H	DLN 4570H	DLN 5570H	DCLN 70
Non-Hex	DLN 2570N	DLN 3570N	DLN 4570N	DLN 5570N	DCLN 70
Marking	L 27	L 37	L 47	L 57	-



Upper Incisor

UFII Narrow Angled Abutment Hex Non-Hex

- Packing Unit : Abutment + Abutment Screw
If a protect cap is included in the abutment + abutment screw, model name + [C]
- Abutment Screw : UNSAS 1407H (Only compatible with the screw included)

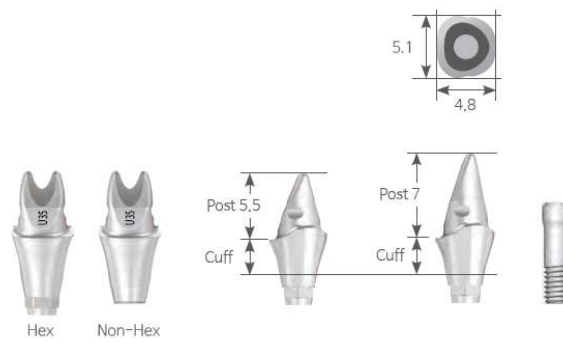


N Post 5.5		Unit:mm Scale 1 : 1,25				
Cuff	2.5	3.5	4.5	5.5	Protect Cap	
						
Hex	DUN 2555H	DUN 3555H	DUN 4555H	DUN 5555H	DCUN 55	
Non-Hex	DUN 2555N	DUN 3555N	DUN 4555N	DUN 5555N	DCUN 55	
Marking	U 25	U 35	U 45	U 55	-	

N Post 7.0						
Cuff	2.5	3.5	4.5	5.5	Protect Cap	
						
Hex	DUN 2570H	DUN 3570H	DUN 4570H	DUN 5570H	DCUN 70	
Non-Hex	DUN 2570N	DUN 3570N	DUN 4570N	DUN 5570N	DCUN 70	
Marking	U 27	U 37	U 47	U 57	-	

UFI Angled Abutment Hex Non-Hex

· Abutment Screw : DASC 2008H (Only compatible with the screw included)



R Post 5.5		Unit:mm Scale 1 : 1.25				
Cuff	2.5	3.5	4.5	5.5	Protect Cap	

Hex	DUR 2555H	DUR 3555H	DUR 4555H	DUR 5555H	DCUR 55
Non-Hex	DUR 2555N	DUR 3555N	DUR 4555N	DUR 5555N	DCUR 55
Marking	U 25	U 35	U 45	U 55	-

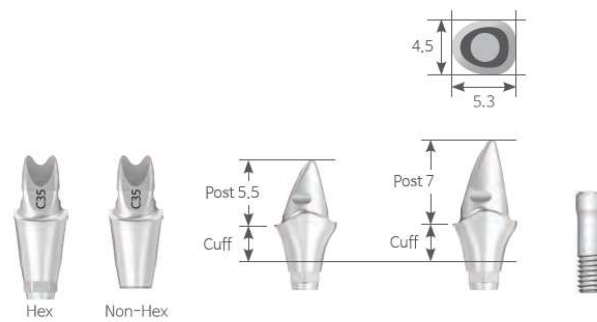
R Post 7.0		Unit:mm Scale 1 : 1.25				
Cuff	2.5	3.5	4.5	5.5	Protect Cap	

Hex	DUR 2570H	DUR 3570H	DUR 4570H	DUR 5570H	DCUR 70
Non-Hex	DUR 2570N	DUR 3570N	DUR 4570N	DUR 5570N	DCUR 70
Marking	U 27	U 37	U 47	U 57	-

Canine

UFII Angled Abutment Hex Non-Hex

· Abutment Screw : DASC 2008H (Only compatible with the screw included)



R Post 5.5		Unit:mm Scale 1 : 1,25	
Cuff	2.5	3.5	Protect Cap

			
Hex	DCR 2555H	DCR 3555H	DCCR 55
Non-Hex	DCR 2555N	DCR 3555N	DCCR 55
Marking	C 25	C 35	-

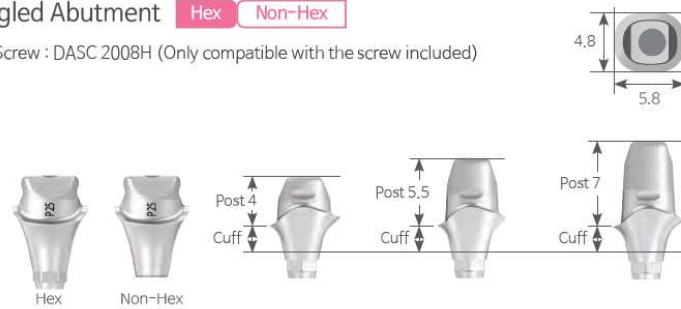
R Post 7.0		Unit:mm Scale 1 : 1,25	
Cuff	2.5	3.5	Protect Cap

			
Hex	DCR 2570H	DCR 3570H	DCCR 70
Non-Hex	DCR 2570N	DCR 3570N	DCCR 70
Marking	C 27	C 37	-

Pre-Molar

UFI Angled Abutment Hex Non-Hex

· Abutment Screw : DASC 2008H (Only compatible with the screw included)



R Post 4.0 Unit mm | Scale 1 : 1,25

Cuff	1.5	2.5	3.5	4.5	Protect Cap
Hex	DPR 1540H	DPR 2540H	DPR 3540H	DPR 4540H	DCPR 40
Non-Hex	DPR 1540N	DPR 2540N	DPR 3540N	DPR 4540N	DCPR 40
Marking	P 14	P 24	P 34	P 44	-

R Post 5.5

Cuff	1.5	2.5	3.5	4.5	Protect Cap
Hex	DPR 1555H	DPR 2555H	DPR 3555H	DPR 4555H	DCPR 55
Non-Hex	DPR 1555N	DPR 2555N	DPR 3555N	DPR 4555N	DCPR 55
Marking	P 15	P 25	P 35	P 45	-

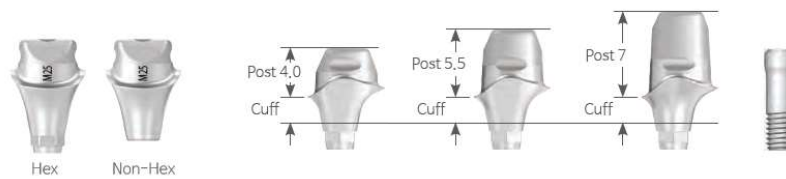
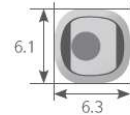
R Post 7.0

Cuff	1.5	2.5	3.5	4.5	Protect Cap
Hex	DPR 1570H	DPR 2570H	DPR 3570H	DPR 4570H	DCPR 70
Non-Hex	DPR 1570N	DPR 2570N	DPR 3570N	DPR 4570N	DCPR 70
Marking	P 17	P 27	P 37	P 47	-

Molar

UFII Angled Abutment Hex Non-Hex

· Abutment Screw : DASC 2008H (Only compatible with the screw included)



R Post 4.0

Unit:mm | Scale 1 : 1.25

Cuff	1.5	2.5	3.5	4.5	Protect Cap
					
Hex	DMR 1540H	DMR 2540H	DMR 3540H	DMR 4540H	DCMR 40
Non-Hex	DMR 1540N	DMR 2540N	DMR 3540N	DMR 4540N	DCMR 40
Marking	M 14	M 24	M 34	M 44	-

R Post 5.5

Cuff	1.5	2.5	3.5	4.5	Protect Cap
					
Hex	DMR 1555H	DMR 2555H	DMR 3555H	DMR 4555H	DCMR 55
Non-Hex	DMR 1555N	DMR 2555N	DMR 3555N	DMR 4555N	DCMR 55
Marking	M 15	M 25	M 35	M 45	-

R Post 7.0

Cuff	1.5	2.5	3.5	4.5	Protect Cap
					
Hex	DMR 1570H	DMR 2570H	DMR 3570H	DMR 4570H	DCMR 70
Non-Hex	DMR 1570N	DMR 2570N	DMR 3570N	DMR 4570N	DCMR 70
Marking	M 17	M 27	M 37	M 47	-

Protect Cap

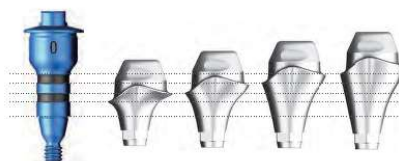
1. Prevention of gingiva creeping
 - Covering of gum in the margin and gingiva retraction
 - Can accurately take impression with widened gum
2. Protection of the patient's tongue
 - Since the protect cap can fall off while biting food with antagonist teeth (sticky food, etc.), be careful not to swallow the cap if fallen.



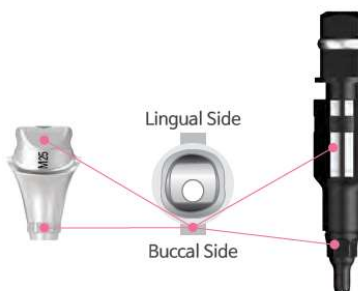
How to check the path

Flapless Surgery

- Surgical Guide Fix (Can check height of the gum)



- Setting of hex direction to buccal side when using digital abutment, checking of hex direction using guide sleeve projection
- Can check hex direction using a Guide Sleeve



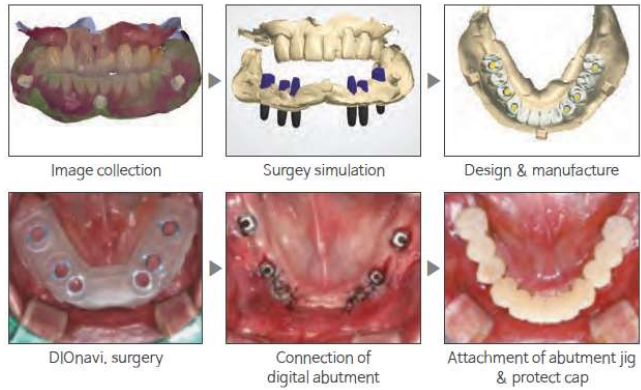
Flap Surgery

- Setting of hex direction to buccal side when using digital abutment,
- Can check hex direction using a fixture driver



Workflow

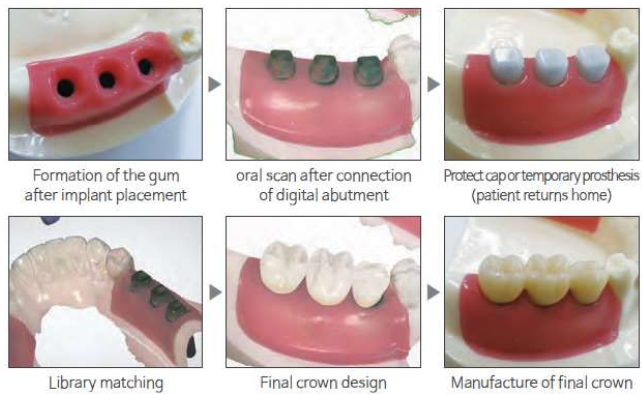
DIONavi. +
Digital Abutment
(Full Digital)
Immediate Restoration



Method of intra oral scan impression

If oral scan is available

Method of library matching
(3Shape Dental System)



Method of conventional impression

Scanning after
manufacture of model


Method of library matching
(3Shape Dental System)









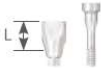
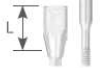



H-Scanbody & Jig

- Tightening Torque : 5~8Ncm
- Packing Unit : H-Scanbody + Screw


UFI Narrow

Top view 








N D Ø4.0 Unit mm | Scale 1 : 1.25


Length	4	6	8	10	12	Jig
						
						
	UNHSB 404H	UNHSB 406H	UNHSB 408H	UNHSB 410H	UNHSB 412H	JIG 401
Screw	UNSCAN 1408H UNSCAN 1410H UNSCAN 1412H UNSCAN 1414H UNSCAN 1416H					

UFI Regular / Wide








Top view 

R W D Ø5.0 Unit mm | Scale 1 : 1.25

Length	4	6	8	Jig
				
				
Screw	HSCAN 541H SSCAN 2009H	HSCAN 561H SSCAN 2011H	HSCAN 581H SSCAN 2013H	JIG 501

Top view 

R W D Ø6.0 Unit mm | Scale 1 : 1.25

Length	4	6	8	Jig
				
				
Screw	HSCAN 641H SSCAN 2009H	HSCAN 661H SSCAN 2011H	HSCAN 681H SSCAN 2013H	JIG 602

H-Scanbody

UFII Regular / Wide

Top view



R W D Ø6.0

Unit:mm | Scale:1:1.25

Length	4	6	8	Jig
Screw	HSCAN 642H SSCAN 2009H	HSCAN 662H SSCAN 2011H	HSCAN 682H SSCAN 2013H	JIG 601

Top view

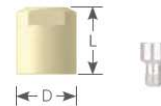


R W D Ø7.0

Length	4	6	8	Jig
Screw	HSCAN 741H SSCAN 2009H	HSCAN 761H SSCAN 2011H	HSCAN 781H SSCAN 2013H	JIG 701

UFII Regular / Wide

- Only use Multiunit Straight(MSA) / Multiunit Angled(MAA) Abutment
- Use for digital Impression taking
- Uses 1.2 Hex Driver
- Packing Unit : H-Scan body + Screw (MHSBSC 1603)
- Tightening Torque : 5~8Ncm



Unit:mm | Scale:1:2

R W D Ø5.0 Length 5.6

Code	MHSB 5005H




Scan Adapter

- Manufacture of customized abutment by connecting to the fixture in the mouth or lab analog of the plaster model and scanning with an oral scanner or desk scanner
- [H] : Hex / [T] : Torx

UFI Narrow

- Packing Unit : Scan Adapter + Screw
- Tightening Torque : 5~8Ncm




N Unit mm | Scale 1 : 1.25

Length	9	15	Screw
			
	SCAN 41	SCAN 41-15	UNSAS 1407H

UFI Regular / Wide

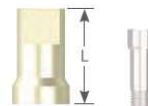
- Packing Unit : Scan Adapter + Screw
- Tightening Torque : 5~8Ncm

R W Unit mm | Scale 1 : 1.25

Length	9	15	Screw
			
	SCAN 01	SCAN 01-15	SSC 2008H

UFI Regular / Wide

- Only use Multiunit Straight(MSA) / Multiunit Angled(MAA) Abutment
- Uses 1.2 Hex Driver
- Packing Unit : Scan Adapter + Screw (MCSC 1606)
- Tightening Torque : 5~8Ncm



R W D Ø4.8 Length 8 Unit mm | Scale 1 : 2

Code	MSCAN 4808H
------	-------------

Scan Retractor

- Precise recognition of maxillar open repository and archive
- Controlling the cheek and tongue mobility at mandibular open repository and archive
- Providing the exact reference point of the marginal scanning area
- Packing Unit : Maxillar - Set (5 Piece) Mandibular - Set (5 Piece)



Maxillar



Mandibular

Type	Maxillar	Mandibular
	SCANR 01S	SCANR 02S

Wax Denture

- ▶ Made of thermoplastic material that allows easy operation to acquire occlusion with patient's gingiva
- For edentulous patients
- Easily customized
- Enable oral scan
- Packing Unit : Maxillar-1 Piece / Mandibular-1 Piece



Maxillar



Mandibular

Type	Maxillar	Mandibular
Small	WDU 01	WDL 01
Medium	WDU 02	WDL 02
Large	WDU 03	WDL 03

Marker

- Use when they have no teeth for reference
- Use for CT imaging for digital implant surgery
- Packing Unit : 1 Set (30ea)



Type	SGM 5040

Pre-Milled Bar

UFI Narrow

- Packing Unit : Pre-Milled Bar + Screw (UNSA5 1407H) 2ea
- Tightening Torque : 20Ncm



Unit:mm | Scale 1:1

Type	Hex		Non-Hex	
	Diameter	Ø10	Ø12	Ø10
	CBUN 01	CBUN 02	CBUN 01N	CBUN 02N

UFI Regular / Wide

- Packing Unit : Pre-Milled Bar + Screw (SSC 2008H) 2ea
- Tightening Torque : 30~35Ncm



Unit:mm | Scale 1:1

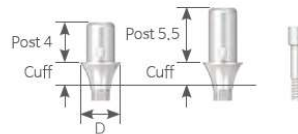
Type	Hex		Non-Hex	
	Diameter	Ø10	Ø12	Ø10
	CBSS 01	CBSS 02	CBSS 01N	CBSS 02N

Hybrid Link

- Up to implant platform connection part is made of titanium,
making it easy to produce prosthesis for anterior region by cementation the post made of zirconia.

UFII Narrow

- Packing Unit : Hybrid Link + Screw (UNSA1407H)
- Tightening Torque : 20Ncm



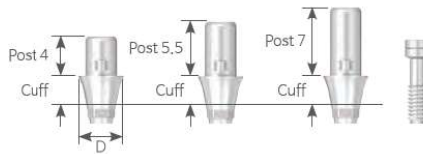
N D Ø4.0

Unit:mm | Scale 1 : 1.65

Type			Hex
Diameter Ø4.0	Post 4	Cuff 1	UNHL 40401H
		Cuff 2	UNHL 40402H
		Cuff 3	UNHL 40403H
Post 5.5	Cuff 1	UNHL 40551H	
	Cuff 2	UNHL 40552H	
	Cuff 3	UNHL 40553H	

UFII Regular / Wide

- Packing Unit : Hybrid Link + Screw (SSC 2008H)
- Tightening Torque : 30~35Ncm



R W

Unit:mm | Scale 1 : 1.65

Type			Hex	Non-Hex
Diameter Ø4.5	Post 4	Cuff 1	UFHL 45401H	UFHL 45401N
		Cuff 2	UFHL 45402H	UFHL 45402N
		Cuff 3	UFHL 45403H	UFHL 45403N
	Post 5.5	Cuff 1	UFHL 45501H	UFHL 45501N
		Cuff 2	UFHL 45502H	UFHL 45502N
		Cuff 3	UFHL 45503H	UFHL 45503N
	Post 7	Cuff 1	UFHL 45701H	UFHL 45701N
		Cuff 2	UFHL 45702H	UFHL 45702N
		Cuff 3	UFHL 45703H	UFHL 45703N
Diameter Ø5.5	Post 4	Cuff 1	UFHL 55401H	UFHL 55401N
		Cuff 2	UFHL 55402H	UFHL 55402N
		Cuff 3	UFHL 55403H	UFHL 55403N
	Post 5.5	Cuff 1	UFHL 55501H	UFHL 55501N
		Cuff 2	UFHL 55502H	UFHL 55502N
		Cuff 3	UFHL 55503H	UFHL 55503N
	Post 7	Cuff 1	UFHL 55701H	UFHL 55701N
		Cuff 2	UFHL 55702H	UFHL 55702N
		Cuff 3	UFHL 55703H	UFHL 55703N

Digital Fixture Analog

· Provides anchor point for abutment on 3D printed model.

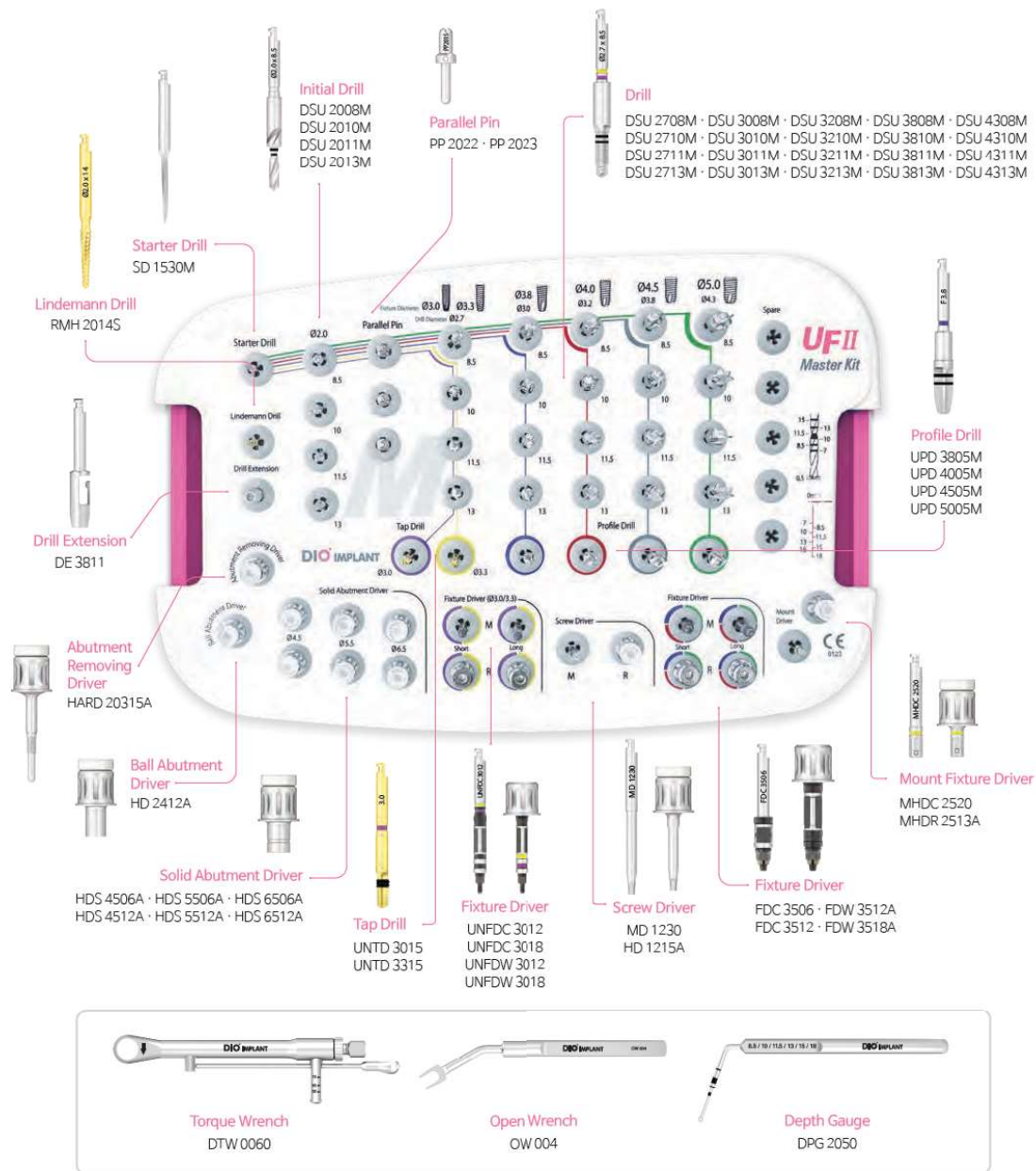
N R W Hex Length 12.5		Unit:mm Scale 1:65	
Fixture Size	Narrow	Regular · Wide	
Diameter	Ø3.5	Ø4.8	
Hex	1.7	2.5	
Code	DAUN 3512	DAU 4812	



UF II Master Kit Kit Code | UF(M) 06

- Kit composed of drill with outstanding cutting force and durability, etc.
- UF II Narrow $\varnothing 3.0$ $\varnothing 3.3$ / UF II Regular $\varnothing 3.8$ $\varnothing 4.0$ $\varnothing 4.5$ $\varnothing 5.0$ $\varnothing 5.5$ Fixture

Unit mm | Drill Scale 1 : 0.9



Ver A

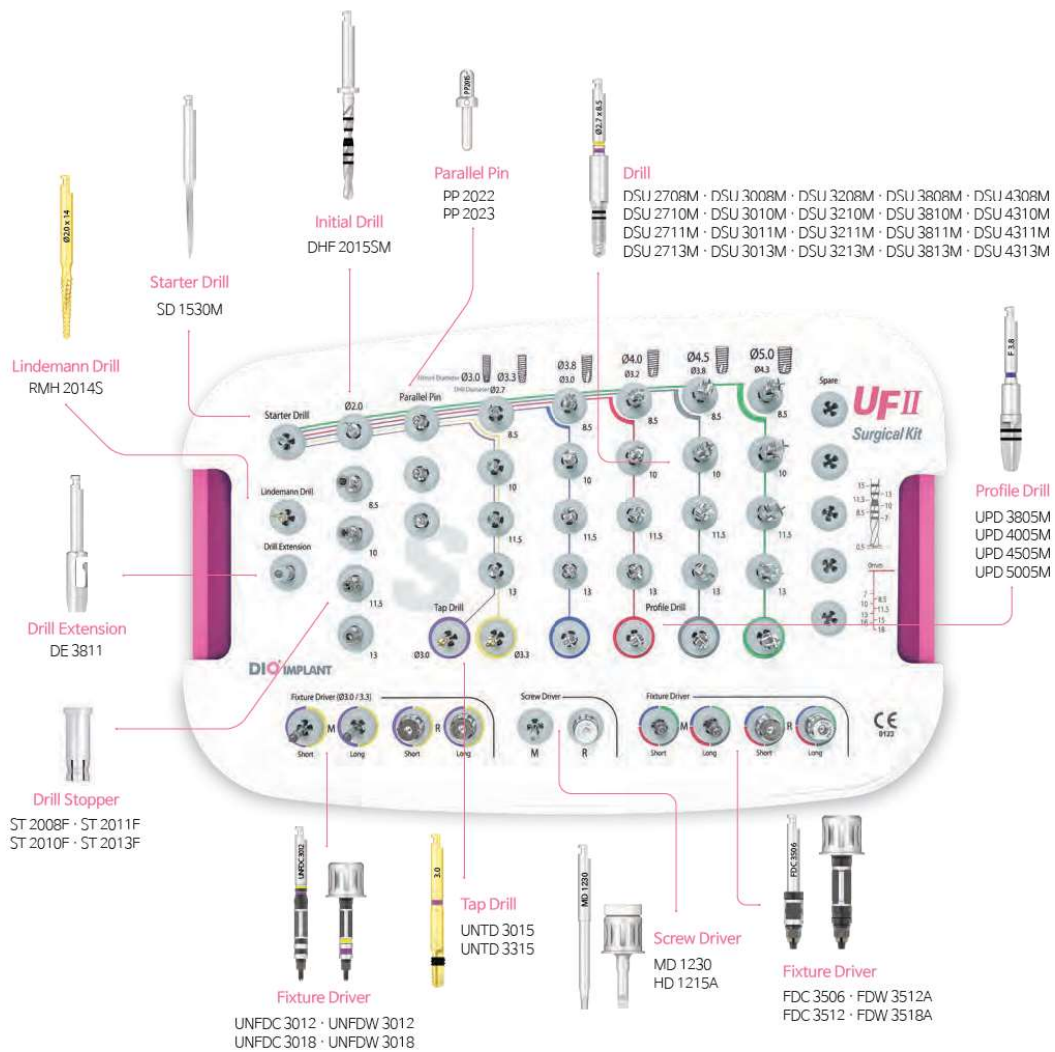
UFII Surgical Kit Kit Code | UF(M) 07

- Kit composed of drill with outstanding cutting force and durability, etc.
- UFII Narrow $\varnothing 3.0$ $\varnothing 3.3$ / UFII Regular $\varnothing 3.8$ $\varnothing 4.0$ $\varnothing 4.5$ $\varnothing 5.0$ $\varnothing 5.5$ Fixture

Unit mm | Drill Scale 1 : 0.9

IMPLANT SYSTEM

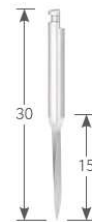
UFII INT. SUBMERGED SYSTEM | UFII Master-Surgical Kit



Ver-B

Surgical Tool

Starter Drill



Unit mm | Scale 1 : 1,15

K

Code

SD 1530M

Initial Drill

K D Ø2.0 · Only use UFII Master Kit

Unit mm | Scale 1 : 1

Code

DSU 2008M

DSU 2010M

DSU 2011M

DSU 2013M

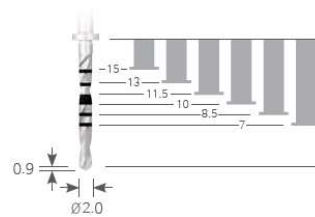


K D Ø2.0 · Only use UFII Surgical Kit

Unit mm | Scale 1 : 1,2

Code

DHF 2015SM



Drill stopper

K D Ø2.0

Unit mm | Scale 1 : 1,2

Code

ST 2013F

ST 2011F

ST 2010F

ST 2008F


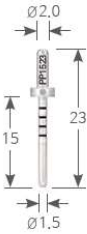
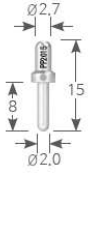
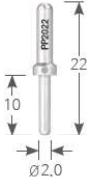
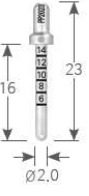


Parallel Pin

K

● Sold separately

Unit:mm | Scale 1:1

Code	PP 1223	PP 1523	PP 2015	PP 2022	PP 2023
					

Path Pin

K

● Sold separately

Unit:mm | Scale 1:1.2

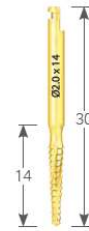
Code	DPP 3512
	

IMPLANT SYSTEM

UFII INT. SUBMERGED SYSTEM | UFII Master-Surgical Kit

Surgical Tool

Lindemann Drill



K D Ø2.0

Unit:mm | Scale 1:1.2

Code

RMH 2014S

Positioning Guide



K D Ø2.0

● Sold separately

Unit:mm | Scale 1:1.2

Code

PG 0060

Angled Path Pin

● Sold separately

Unit:mm | Scale 1:1.15

K

Code

DAP 4515A

DAP 4515B



Hex A



Hex B

Type

Drill



K D Ø2.7						● Sold separately
Code	DSU 2707M	DSU 2708M	DSU 2710M	DSU 2711M	DSU 2713M	DSU 2715M



K D Ø3.0						Unit mm Scale 1:1
Code	DSU 3007M	DSU 3008M	DSU 3010M	DSU 3011M	DSU 3013M	DSU 3015M



Drill

K D Ø3.2

 Sold separately

Unit mm | Scale 1 : 1

Code **DSU 3207M** DSU 3208M DSU 3210M DSU 3211M DSU 3213M **DSU 3215M**



Length 7 8.5 10 11.5 13 15

K D Ø3.8

Unit mm | Scale 1 : 1

Code **DSU 3807M** DSU 3808M DSU 3810M DSU 3811M DSU 3813M **DSU 3815M**



Length 7 8.5 10 11.5 13 15

K D Ø4.3

Unit mm | Scale 1 : 1

Code **DSU 4307M** DSU 4308M DSU 4310M DSU 4311M DSU 4313M **DSU 4315M**



Length 7 8.5 10 11.5 13 15

Profile Drill

K Unit mm | Scale 1:1

Fixture Size	Ø3.8	Ø4.0	Ø4.5	Ø5.0
Code	UPD 3805M	UPD 4005M	UPD 4505M	UPD 5005M

Color | ● ● ● ●

Tap Drill

K Unit mm | Scale 1:1

Fixture Size	Ø3.0	Ø3.3	Ø3.8	Ø4.0	Ø4.5	Ø5.0	Ø5.5
Code	UNTD 3015	UNTD 3315	UT(II) 3815	UT(II) 4015	UT(II) 4515	UT(II) 5015	UT(II) 5515

● Sold separately

Color | ● ● ● ● ● ● ○

Drill Extension

Length is extended 15,5mm by connecting to the drill.



K Unit mm | Scale 1:1,2

Code	DE 3811
------	---------

Surgical Tool

Fixture Driver Narrow

 Sold separately

Unit mm | Scale 1:1

K Machine

Code	UNFDC 3006	UNFDC 3012	UNFDC 3018
------	------------	------------	------------



K Ratchet

Code	UNFDW 3006	UNFDW 3012	UNFDW 3018
------	------------	------------	------------



Fixture Driver Regular / Wide

 Sold separately

Unit mm | Scale 1:1

K Machine

Code	FDC 3506	FDC 3512	FDC 3518
------	----------	----------	----------



K Ratchet

Code	FDW 3506A	FDW 3512A	FDW 3518A
------	-----------	-----------	-----------



Screw Driver Machine

● Sold separately

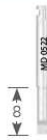
Unit: mm | Scale: 1:1

K Slot 0.5

Code

MD 0522

MD 0530



K Hex 0.9

Code

MD 0922

MD 0930



K Hex 1.2

Code

MD 1219

MD 1222

MD 1230

MD 1234

MD 1239



K Torx 1.7

Code

MD 1719

MD 1722

MD 1730



Surgical Tool

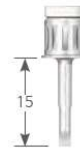
Screw Driver Ratchet

● Sold separately

K Slot 0.5

Unit mm | Scale 1:1

Code **HD 0510A** **HD 0515A**



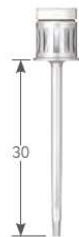
K Hex 0.9

Code **HD 0910A** **HD 0915A** **HD 0920A**



K Hex 1.2

Code **HD 1205A** **HD 1210A** **HD 1215A** **HD 1220A** **HD 1225A** **HD 1230A**



K Torx 1.7

Code **HD 1705A** **HD 1710A** **HD 1715A** **HD 1720A** **HD 1725A**



Mount Fixture Driver

· Only use UF II Master Kit

● Sold separately

K Hex 2.5

Unit:mm | Scale 1:1

Type	Machine		Ratchet	
Code	MHDC 2520	MHDC 2525	MHDR 2513A	MHDR 2518A



Solid Abutment Driver

· Only use UF II Master Kit

K

Unit:mm | Scale 1:1.2

Length	6	12
--------	---	----



Diameter Ø4.5	HDS 4506A	HDS 4512A
Ø5.5	HDS 5506A	HDS 5512A
Ø6.5	HDS 6506A	HDS 6512A

Ball Abutment Driver

· Only use UF II Master Kit

● Sold separately

K

Unit:mm | Scale 1:1

Code	HD 2406A	HD 2412A
------	----------	----------



Surgical Tool

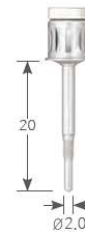
Abutment Removing Driver

· Only use UF II Master Kit

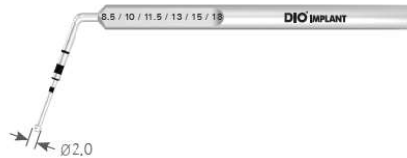
● Sold separately

Unit mm | Scale 1 : 1

K	Code	HARD 20315A	HARD 20320A
----------	------	-------------	-------------



Depth Gauge



K D Ø2.0	Code	DPG 2050
-----------------	------	----------

Unit mm | Scale 1 : 1

Open Wrench

- Used to remove Mount if the bone is soft.
- 30° Neck angle for convenience in intraoral insertion.



K	Code	OW 004
----------	------	--------

Unit mm | Scale 1 : 1

Torque Wrench



K	Unit:mm Scale 1:1
Code	DTW 0060

Surgical Protocol

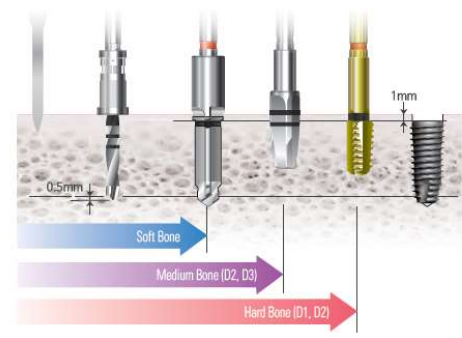
Crestal Placement

Starter Drill	Initial Drill	Drill	Profile Drill	Tap Drill	UF(II) Fixture
1,200rpm	1,000rpm	800rpm	300rpm	50rpm	20rpm



1mm Subcrestal Placement

Starter Drill	Initial Drill	Drill	Profile Drill	Tap Drill	UF(II) Fixture
1,200rpm	1,000rpm	800rpm	300rpm	50rpm	20rpm



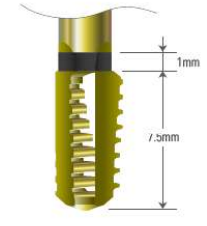
Drill
Using 8.5mm Drill with laser marking to place 7mm implant



Profile Drill
Drilling depth can effect initial stability.



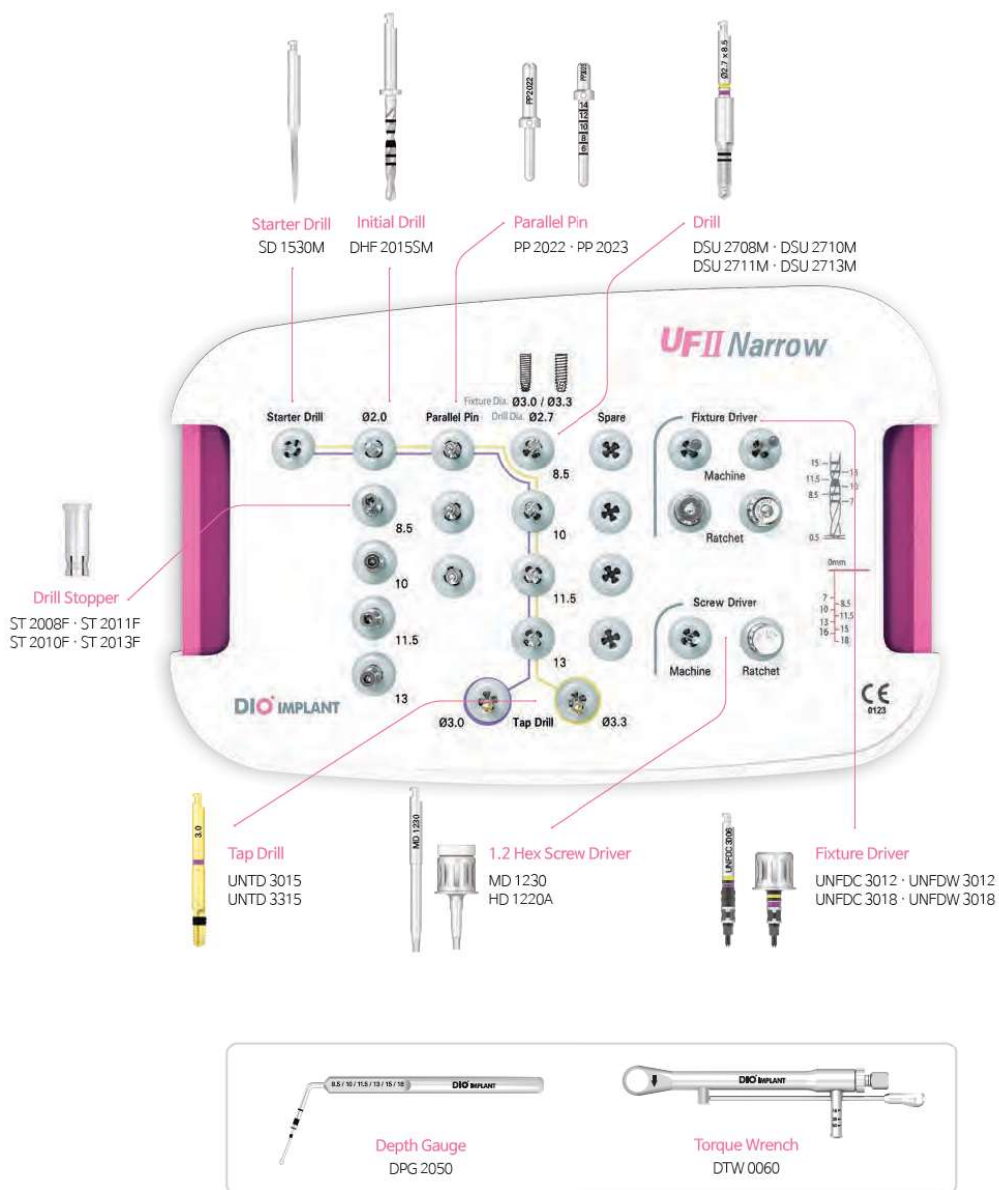
Tap Drill



UFII Narrow Kit Kit Code | UF(M) 08

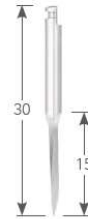
- Kit composed of drill with outstanding cutting force and durability, etc.
- UFII Narrow $\varnothing 3.0$ $\varnothing 3.3$ Fixture

Unit:mm | Drill Scale 1:0.9



Surgical Tool

Starter Drill

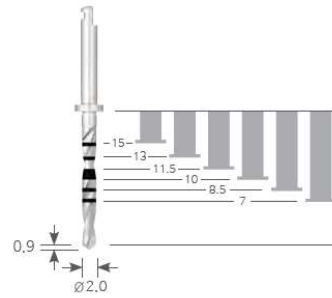


K

Unit mm | Scale 1:1.2

Code	SD 1530M
------	----------

Initial Drill



K D Ø2.0

Unit mm | Scale 1:1.2

Code	DHF 2015SM
------	------------

Drill stopper

K D Ø2.0

Unit mm | Scale 1:1.2

Code	ST 2013F	ST 2011F	ST 2010F	ST 2008F
------	----------	----------	----------	----------

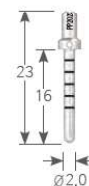


Parallel Pin

K D Ø2.0

Unit mm | Scale 1:1

Code	PP 2022	PP 2023
------	---------	---------



IMPLANT SYSTEM | UFI INT. SUBMERGED SYSTEM | UFI Narrow Kit

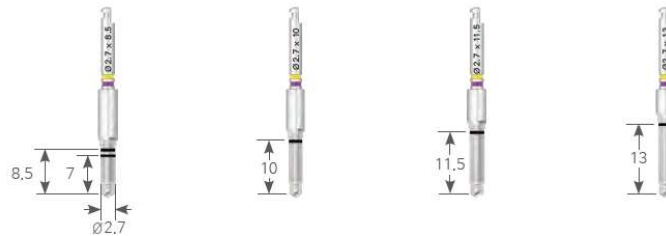
Surgical Tool

Drill

K D Ø2.7

Unit mm | Scale 1:1

Code	DSU 2708M	DSU 2710M	DSU 2711M	DSU 2713M
------	-----------	-----------	-----------	-----------



Tap Drill

K

Unit mm | Scale 1:1

Fixture Size	Ø3.0	Ø3.3
Code	UNTD 3015	UNTD 3315



Fixture Driver

- Maximum Tightening Torque : 50Ncm
- Drill lifespan : 20 oseotomies

● Sold separately

K

Unit mm | Scale 1:1

Type	Machine			Ratchet		
Code	UNFDC 3006	UNFDC 3012	UNFDC 3018	UNFDW 3006	UNFDW 3012	UNFDW 3018



Screw Driver

K Hex 1.2

Unit:mm | Scale:1:1

Type	Machine	Ratchet
Code	MD 1230	HD 1220A



Solid Abutment Driver

· Only use UFI Narrow Kit

K D Ø4.0

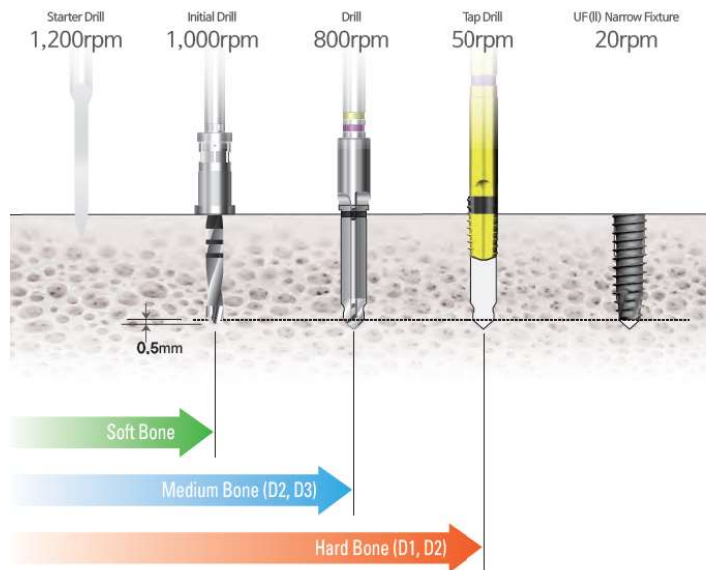
● Sold separately

Unit:mm | Scale:1:1

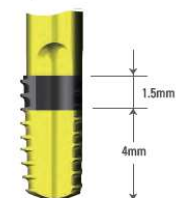
Length	6	12
Code	UNHDS 4006A	UNHDS 4012A



Surgical Protocol



Tap Drill

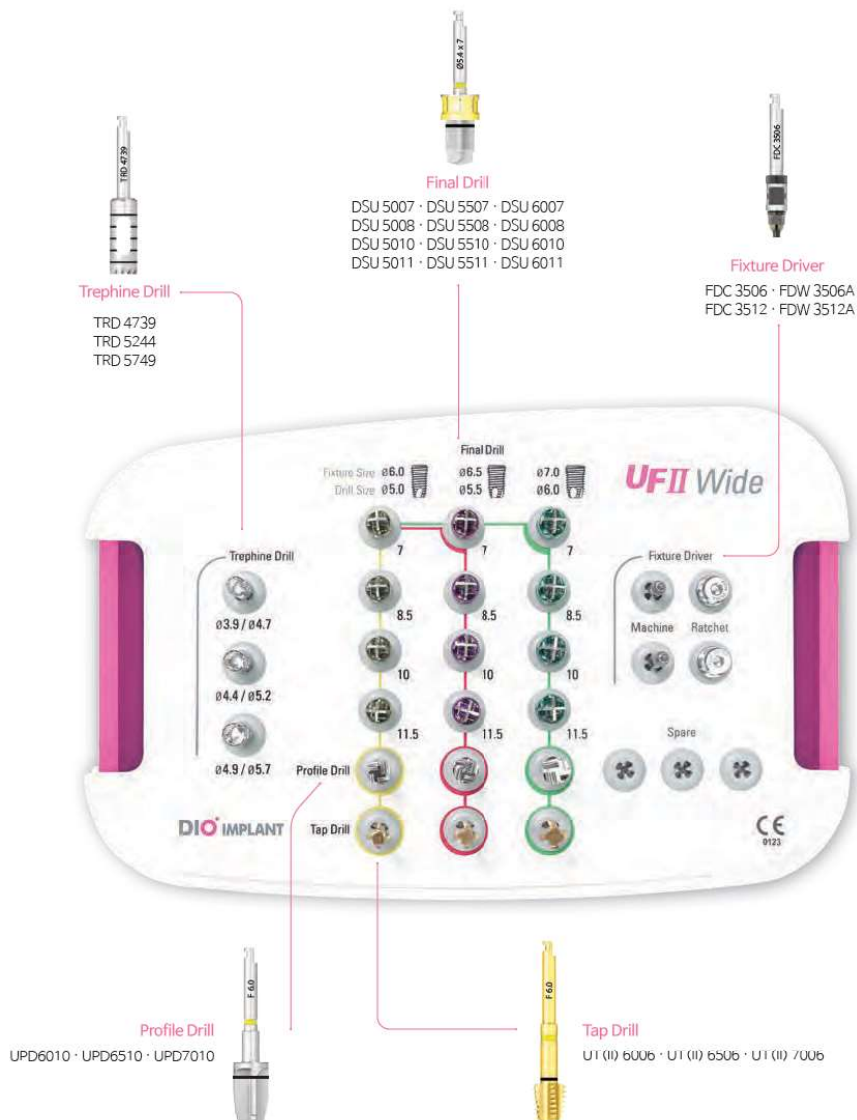


* Tightening torque : 20~40Ncm
Maximum tightening torque : 50Ncm

UFII Wide Kit Kit Code | UF 09

- Kit composed of drill with outstanding cutting force and durability, etc.
- UF II Wide $\varnothing 5.9$ $\varnothing 6.4$ $\varnothing 6.9$ Fixture

Unit mm | Drill Scale 1:0.9



Surgical Tool

Trephine Drill



Scale 1 : 1.15

K Unit:mm | Scale 1 : 1

Code	TRD 4739	TRD 5244	TRD 5749
Diameter 1	Ø3.9	Ø4.4	Ø4.9
Diameter 2	Ø4.7	Ø5.2	Ø5.7



IMPLANT SYSTEM | UFI INT. SUBMERGED SYSTEM | UFI Wide Kit

Profile Drill



Scale 1 : 1.15

K Unit:mm | Scale 1 : 1

Fixture Size	Ø6.0	Ø6.5	Ø7.0
Code	UPD 6010	UPD 6510	UPD 7010



Color



Surgical Tool

Final Drill



K D Ø5.0

● Sold separately
Unit mm | Scale 1:1

Code	DSU 5007	DSU 5008	DSU 5010	DSU 5011	DSU 5013	DSU 5015
Length	7	8.5	10	11.5	13	15

K D Ø5.5

Code	DSU 5507	DSU 5508	DSU 5510	DSU 5511	DSU 5513	DSU 5515
Length	7	8.5	10	11.5	13	15

K D Ø6.0

Code	DSU 6007	DSU 6008	DSU 6010	DSU 6011	DSU 6013	DSU 6015
Length	7	8.5	10	11.5	13	15

Tap Drill

K Unit:mm | Scale 1:1

Fixture Size	Ø6.0	Ø6.5	Ø7.0
Code	UT(II) 6006	UT(II) 6506	UT(II) 7006



F.60

Color ●



F.65

Color ●



F.70

Color ●

Fixture Driver

K ● Sold separately
Unit:mm | Scale 1:1

Type	Machine			Ratchet		
Code	FDC 3506	FDC 3512	FDC 3518	FDW 3506A	FDW 3512A	FDW 3518A



6



12



18



6



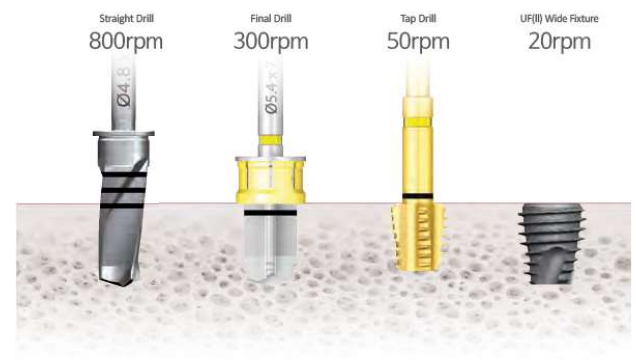
12



18

Surgical Protocol

Fixture Length 7mm
Extraction Socket &
Replace failed Implant



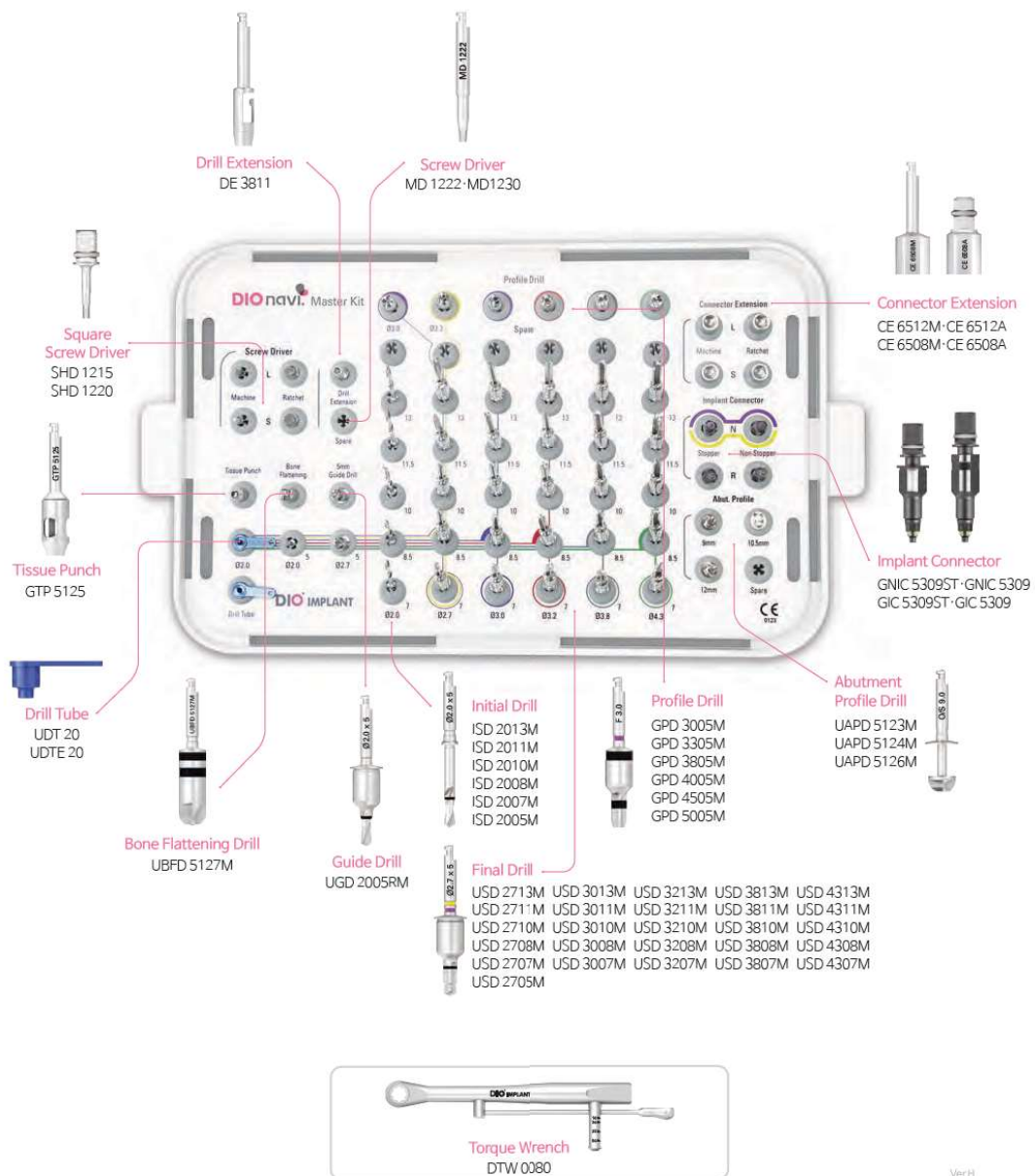
DIO IMPLANT
www.dioimplant.com

DIOnavi. Kit

DIONavi. Master Kit Kit Code | UF(M) 05

- Kit composed of drill with outstanding cutting force and durability, etc.
- UF II Narrow $\varnothing 3.0$ $\varnothing 3.3$ UF(II) Regular $\varnothing 3.8$ $\varnothing 4.0$ $\varnothing 4.5$ $\varnothing 5.0$ $\varnothing 5.5$ Fixture
- Guide Sleeve : GS 53

Unit mm | Drill Scale 1 : 0.9



Ver H

Surgical Tool

Tissue Punch

- Gingiva can be removed stably using a fixed blade inside the punch. (Flapless Surgery)



K D Ø3.0

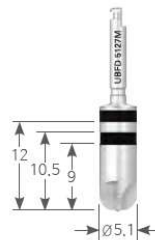
Unit mm | Scale 1 : 1

Code

GTP 5125

Bone Flattening Drill

- Remaining gingiva is removed for easier drilling, and irregular alveolar crest is flattened.



K D Ø5.1

Unit mm | Scale 1 : 1

Code

UBFD 5127M

Guide Drill

- A hole on the bone is initially formed on the bone for easier insertion of the initial drill.



K D Ø2.0 Length 5

Unit mm | Scale 1 : 1

Code

UGD 2005RM

Drill Extension

- Length is extended 15.5mm by connecting to the drill.



K Length 11

Unit mm | Scale 1 : 1

Code

DE 3811

Surgical Tool

Drill Tube

· To fix the guide drill and the initial drill without shakage.



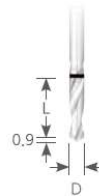
Unit mm
Scale 1 : 1.2

K ● Sold separately
Unit mm | Scale 1 : 1

Code	UDT 20	UDTE 20	UDTL 20

Initial Drill

· A placement hole (osteotomy site) is formed on the cortical bone.



K D Ø2.0 ● Sold separately
Unit mm | Scale 1 : 1

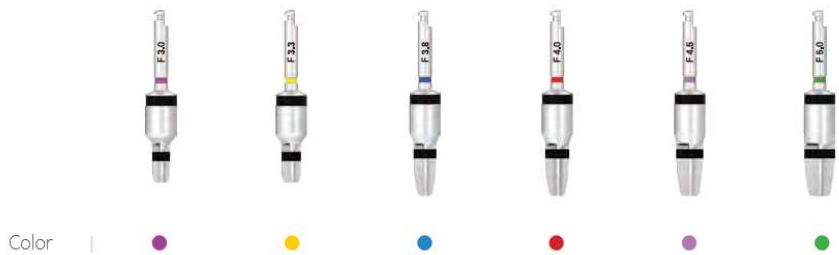
Code	ISD 2005M	ISD 2007M	ISD 2008M	ISD 2010M	ISD 2011M	ISD 2013M	ISD 2015M

Profile Drill

- The cortical bone is further drilled in D1 and D2 bones, and excessive placement torque is prevented.



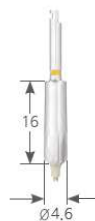
K		Unit mm Scale 1 : 1					
Fixture Size		Ø3.0	Ø3.3	Ø3.8	Ø4.0	Ø4.5	Ø5.0
Code		GPD 3005M	GPD 3305M	GPD 3805M	GPD 4005M	GPD 4505M	GPD 5005M



Bone Profile Drill

- When connecting abutment (healing) after implant placement, It is necessary to contour the bone for proper seating of the abutments, (to contour bone to allow for a wider emergence profile restoration)
- To flatten and remove bone that has grown around or over an implant which impedes its restoration, (When use a Abutment(with Healing Abutment))

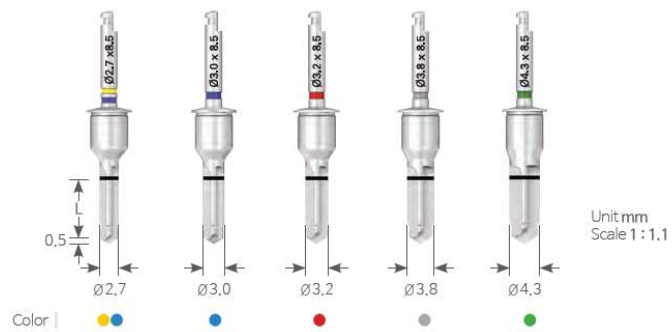
K		● Sold separately	
		Unit mm Scale 1 : 1	
Type		Narrow	Regular
Code		BPD 4616GN	BPD 5608G



Surgical Tool

Final Drill

· The drill hole is expanded to the final drilling.



K D Ø2.7 ● Sold separately
 Unit mm | Scale 1:1

Code	USD 2705M	USD 2707M	USD 2708M	USD 2710M	USD 2711M	USD 2713M	USD 2715M
------	-----------	-----------	-----------	-----------	-----------	-----------	-----------



K D Ø3.0 Unit mm | Scale 1:1

Code	USD 3005M	USD 3007M	USD 3008M	USD 3010M	USD 3011M	USD 3013M	USD 3015M
------	-----------	-----------	-----------	-----------	-----------	-----------	-----------



K D Ø3.2 ● Sold separately
Unit mm | Scale 1 : 1

Code	USD 3205	USD 3207M	USD 3208M	USD 3210M	USD 3211M	USD 3213M	USD 3215M
Length	5	7	8.5	10	11.5	13	15

K D Ø3.8 Unit mm | Scale 1 : 1

Code	USD 3805	USD 3807M	USD 3808M	USD 3810M	USD 3811M	USD 3813M	USD 3815M
Length	5	7	8.5	10	11.5	13	15

K D Ø4.3 Unit mm | Scale 1 : 1

Code	USD 4305	USD 4307M	USD 4308M	USD 4310M	USD 4311M	USD 4313M	USD 4315M
Length	5	7	8.5	10	11.5	13	15

Surgical Tool

Tap Drill

- Excessive implant placement torque is prevented.
- $\varnothing 3.0/\varnothing 3.3$: Uses 5,3 Sleeve (GS 53BL: Blue)

● Sold separately

K Unit mm | Scale 1:1

Fixture Size	$\varnothing 3.0$	$\varnothing 3.3$	$\varnothing 3.8$	$\varnothing 4.0$	$\varnothing 4.5$	$\varnothing 5.0$
Code	GNTD 3015	GNTD 3315	GTD 3815	GTD 4015	GTD 4515	GTD 5015

Color | ● ● ● ● ● ●

Abutment Profile Drill

- The cortical bone disrupting sitting of the abutment is removed, and emergence profile is formed.

K Unit mm | Scale 1:1

Code	UAPD 5123M	UAPD 5124M	UAPD 5126M
Offset	9	10.5	12

Connector Extension

- Length of the connector is extended during implant placement.

K Unit mm | Scale 1:1

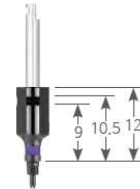
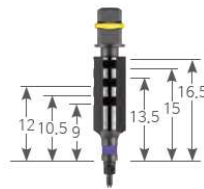
Code	CE 6508A	CE 6508M	CE 6512A	CE 6512M
Type	Ratchet	Machine	Ratchet	Machine

Implant Connector

- Implant is placed according to depth of the fixture and direction of the internal hex planned in advance.
- Recommended use of UF(II) Narrow : 20 times / Be careful about excessive torque of 50Ncm or above.

● Sold separately
Unit mm | Scale 1 : 1

Fixture Size	Ratchet			Machine
Code	Non-Stopper	Stopper	Multi	Non-Stopper



UFII **Narrow**

GNIC 5309

GNIC 5309ST

GNIC 5317

GNICC 5309



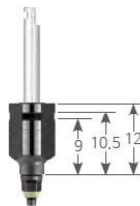
UFII **Regular**

GIC 5309

GIC 5309ST

GIC 5317

GICC 5309



UFII **Wide**

GWIC 6808

GWIC 6808ST

-

GWICC 6808

Surgical Tool

Screw Driver

K Hex 1.2 Unit mm | Scale 1:1

Code	MD 1222	MD 1230
Type	Machine	Machine

Sqaure Screw Driver

K Hex 1.2 Unit mm | Scale 1:1

Code	SHD 1215	SHD 1220
Type	Ratchet	Ratchet

Torque Wrench

· To place the fixture using an implant connector

DIG IMPLANT

10
20
35
50

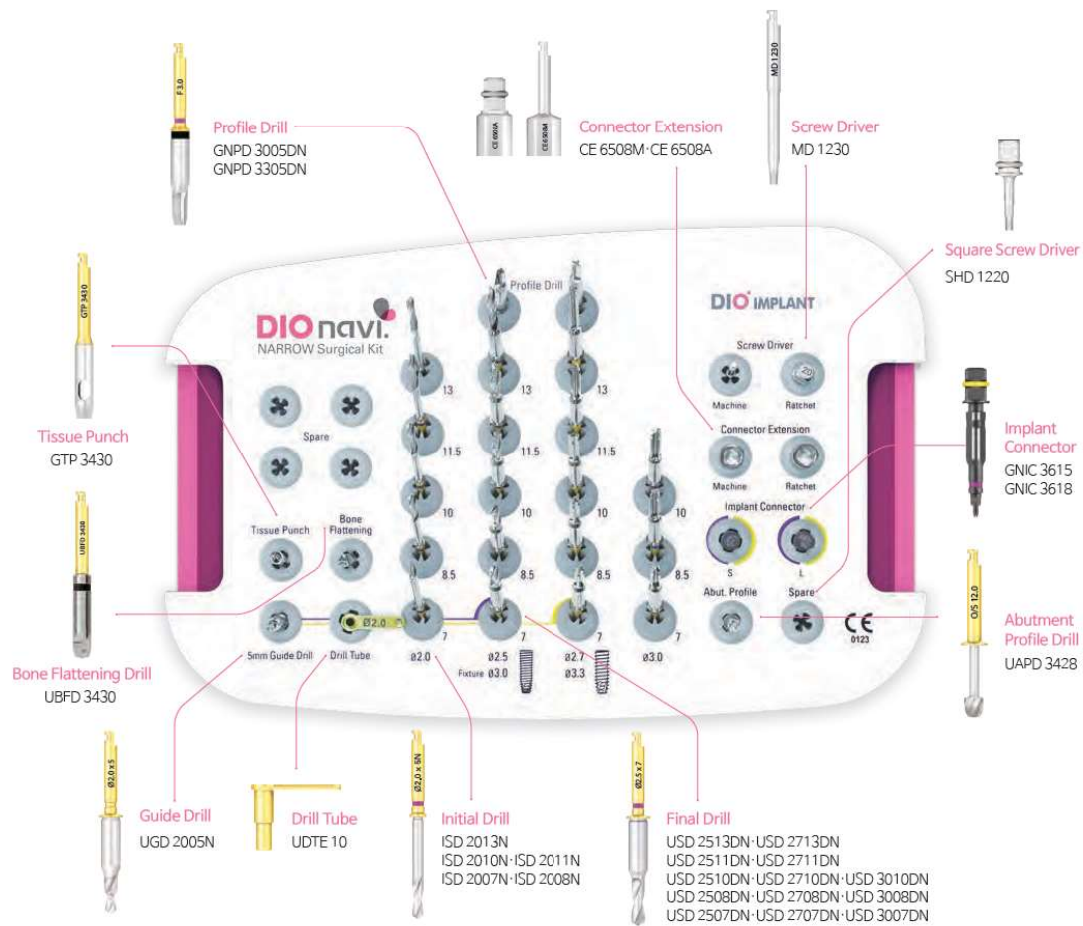
K

Code	DTW 0080
------	----------

DIONavi. Narrow Kit Kit Code | UF 14

- Kit composed of drill with outstanding cutting force and durability, etc.
- UF(II) Narrow $\varnothing 3.0$ $\varnothing 3.3$ Fixture
- Guide Sleeve : GSL 36, GS36

Unit mm | Drill Scale 1 : 0.9



DIONavi. Narrow Kit

Surgical Tool

Tissue Punch

- Gingiva in the position of implant placement is incised into a round shape, and the inner double blade is used to remove the gum tissue cut into round shape.



Double blade
Gingiva can be removed stably using a fixed double blade inside the punch (flapless surgery).

K D Ø2.8

Unit mm | Scale 1 : 1.15

Code

GTP 3430

Bone Flattening Drill

- Alveolar crest surface is flattened, and soft tissue remaining in the alveolar crest is removed after using the tissue punch.



Triple blade
A triple blade is used for stable drilling of the hard alveolar ridge.

K D Ø3.5

Unit mm | Scale 1 : 1.15

Code

UBFD 3430

Guide Drill

- A hole in the bone is initially formed on the bone for easier insertion of the initial drill.



Double stepped drill
Stable drilling can be done due to short double step drill. This is a basic drill to maintain the accuracy of the path.

K D Ø2.0

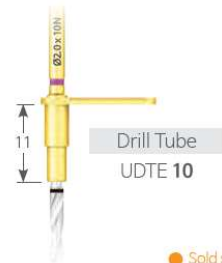
Unit mm | Scale 1 : 1.15

Code

UGD 2005N

Initial Drill

- It secures accurate depth and direction of drilling performed after achieving accurate hole formation during the initial steps.



● Sold separately
Unit mm | Scale 1 : 1

Code	ISD 2007N	ISD 2008N	ISD 2010N	ISD 2011N	ISD 2013N	ISD 2015N

Drill Tube

- To fix the guide drill and the initial drill without shakage.



Code	UDTE 10

Unit mm | Scale 1 : 1.15

Profile Drill

- Used to further drill cortical bone in the mandible with bone density of D1 or D2 for the purpose of preventing excessive torque.

Fixture Size	Ø3.0	Ø3.3
Code	GNPD 3005DN	GNPD 3305DN

Unit mm | Scale 1 : 1



Color







DIOnavi.
DIOnavi - Narrow Kit

Surgical Tool

Final Drill

· Drilling is done by moving down along the passage of leading drill without using a drill tube, while increasing drill size (diameter) according to implant size.






K D Ø2.5 ● Sold separately
Unit mm | Scale 1 : 1

Code	USD 2507DN	USD 2508DN	USD 2510DN	USD 2511DN	USD 2513DN	USD 2515DN
						
Length	7	8.5	10	11.5	13	15

K D Ø2.7 Unit mm | Scale 1 : 1

Code	USD 2707DN	USD 2708DN	USD 2710DN	USD 2711DN	USD 2713DN	USD 2715DN
						
Length	7	8.5	10	11.5	13	15

K D Ø3.0 Unit mm | Scale 1 : 1

Code	USD 3007DN	USD 3008DN	USD 3010DN	USD 3011DN	USD 3013DN	USD 3015DN
						
Length	7	8.5	10	11.5	13	15

Abutment Profile Drill

- Shape of abutment profile is formed by rotating the functional drill 360 degrees which removes the disruptive alveolar bone around the abutment or H-Scanbody.



Unit mm | Scale 1 : 1.15

K D Ø3.4	Code	UAPD 3428
-----------------	------	-----------

Tap Drill

- Uses 3,6 Sleeve (GSL 36YE : Yellow)

● Sold separately

Unit mm | Scale 1 : 1

K Hex 1.7	Code	GNTD 3018DN	GNTD 3318DN
------------------	------	-------------	-------------



Color

Implant Connector

- If depth of placement and position of fixture hexagon are aligned with the guide sleeve projection during placement of the fixture, it is aligned with hex direction of the premade customized abutment.

K Hex 1.7	Code	GNIC 3615	GNIC 3618
------------------	------	-----------	-----------

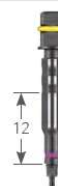
Unit mm | Scale 1 : 1



Type



Short



Long

Connector Extension

- Length of the connector is extended during implant placement.

● Sold separately

Unit mm | Scale 1 : 1.2

K	Code	CE 6508A	CE 6508M	CE 6512A	CE 6512M
----------	------	----------	----------	----------	----------

Type



Ratchet



Machine



Ratchet









Machine

Surgical Tool

Screw Driver Machine






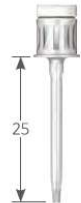

· Used to connect the abutment screw (for handpiece) using an abutment screw driver for ratchet.

K Hex 1.2 ● Sold separately
Unit:mm | Scale 1:1

Code	MD 1219	MD 1222	MD 1230	MD 1234	MD 1239
					







Screw Driver Ratchet

K Hex 1.2 Unit:mm | Scale 1:1

Code	HD 1205A	HD 1210A	HD 1215A	HD 1220A	HD 1225A	HD 1230A
						

Square Screw Driver

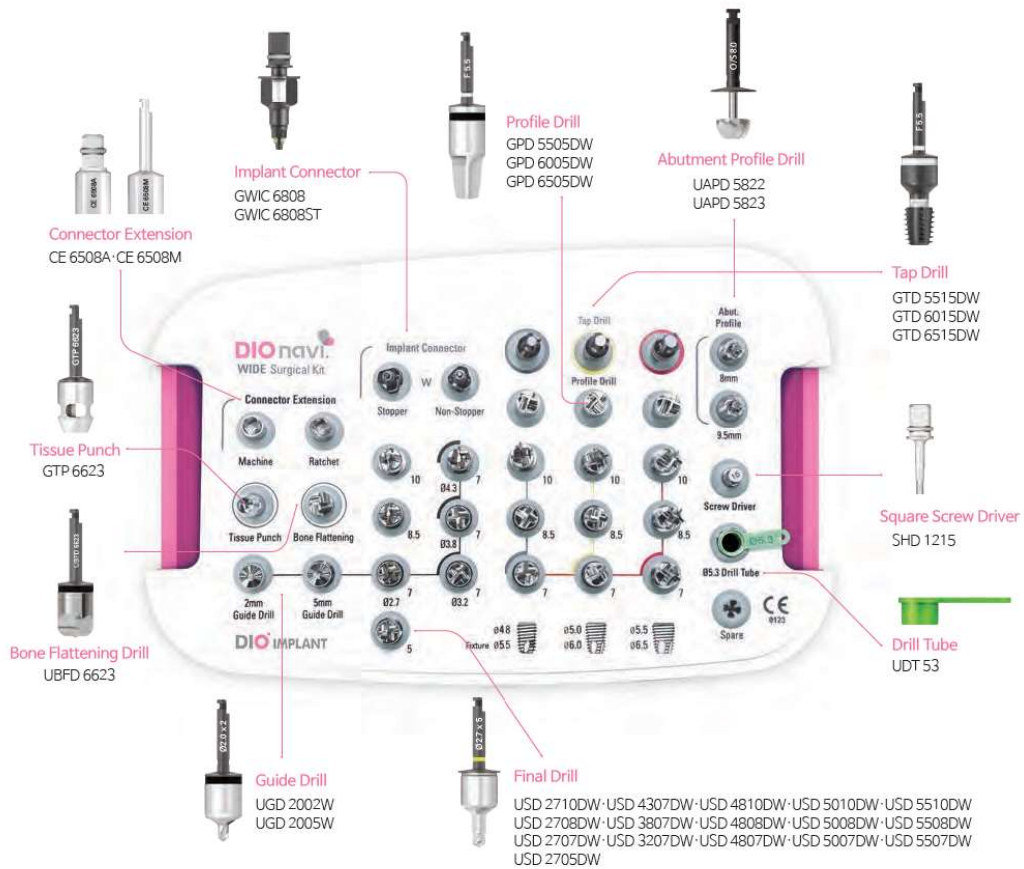
K Hex 1.2 ● Sold separately
Unit:mm | Scale 1:1

Code	SHD 1210	SHD 1215	SHD 1220	SHD 1225	SHD 1230
					

DIONavi. Wide Kit Kit Code I UF 11

- Kit composed of drill with outstanding cutting force and durability, etc.
- UF II Regular $\varnothing 5.5$ / UF II Wide $\varnothing 5.9$ $\varnothing 6.4$ Fixture
- Guide Sleeve : GS 68GN

Unit:mm | Drill Scale 1:0.9



DIONavi.
DIONavi. Wide Kit



Ver D

Surgical Tool

Tissue Punch

· Gingiva can be removed stably using a fixed blade inside the punch



K D Ø4.5

Unit mm | Scale 1 : 1.15

Code

GTP 6623

Bone Flattening Drill

· Irregular alveolar crest surface is flattened.



K

Unit mm | Scale 1 : 1.15

Code

UBFD 6623

Drill Tube



K

Unit mm | Scale 1 : 1.2

Code

UDT 53

Guide Drill

· A hole is initially formed on the bone for easier insertion of the initial drill.

K D Ø2.0

Unit mm | Scale 1 : 1

Code

UGD 2002W

UGD 2005W



Final Drill

· The drill hole is expanded to the final drilling.



K D Ø2.7

Unit mm | Scale 1:1

Code	USD 2705DW	USD 2707DW	USD 2708DW	USD 2710DW
------	------------	------------	------------	------------



Length	5	7	8.5	10
--------	---	---	-----	----

K Length 7

Unit mm | Scale 1:1

Code	USD 3207DW	USD 3807DW	USD 4307DW
------	------------	------------	------------



Diameter	Ø3.2	Ø3.8	Ø4.3
----------	------	------	------

Surgical Tool

K D Ø4.8		Unit:mm Scale 1:1		
Code	USD 4807DW	USD 4808DW	USD 4810DW	
				
Length	7	8.5	10	

K D Ø5.0		Unit:mm Scale 1:1		
Code	USD 5007DW	USD 5008DW	USD 5010DW	
				
Length	7	8.5	10	

K D Ø5.5		Unit:mm Scale 1:1		
Code	USD 5507DW	USD 5508DW	USD 5510DW	
				
Length	7	8.5	10	

Profile Drill

· Used to further drill cortical bone in the mandible with bone density of D1 or D2 for the purpose of preventing excessive torque

		Unit mm Scale 1 : 1		
K		Ø5.5	Ø6.0	Ø6.5
Fixture Size		Ø5.5	Ø6.0	Ø6.5
Code		GPD 5505DW	GPD 6005DW	GPD 6505DW
Color		○	●	●



Tap Drill

· Excessive implant placement torque is prevented.

		Unit mm Scale 1 : 1		
K		Ø5.5	Ø6.0	Ø6.5
Fixture Size		Ø5.5	Ø6.0	Ø6.5
Code		GTD 5515DW	GTD 6015DW	GTD 6515DW
Color		○	●	●



Connector Extension

· Length of the connector is extended during implant placement.

		Unit mm Scale 1 : 1,1	
K		CE 6508A	CE 6508M
Code		CE 6508A	CE 6508M
Type		Ratchet	Machine



Surgical Tool

Abutment Profile Drill

· The cortical bone disrupting sitting of the abutment is removed, and emergence profile is formed.




K D Ø5.8		Unit mm Scale 1:1	
Code	UAPD 5822	UAPD 5823	
			
Offset	8	9.5	

Implant Connector

· Implant is placed according to depth of the fixture and direction of the internal hex planned in advance.
 · Recommended use of UF(II) narrow: 20 times / Be careful about excessive torque of 50Ncm or above.

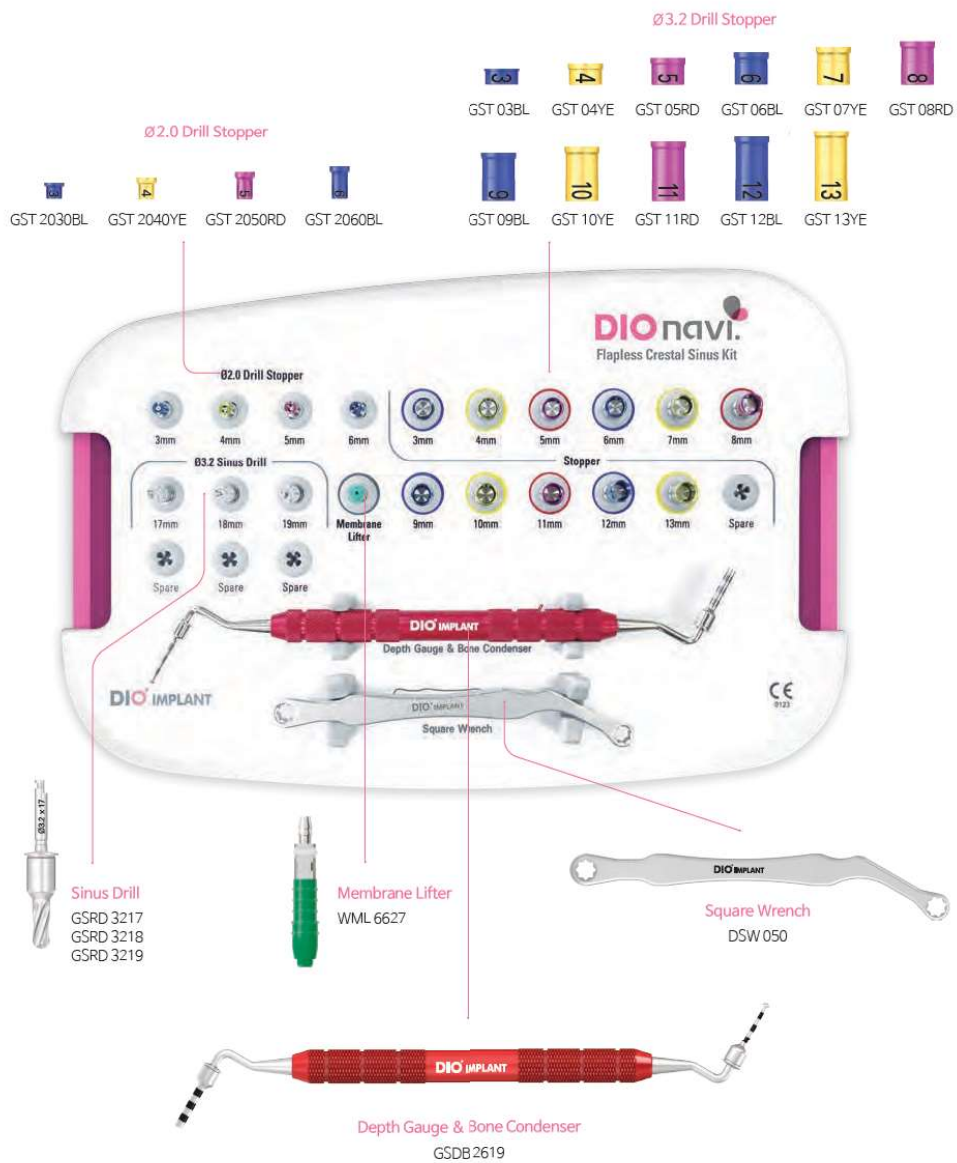
K		Unit mm Scale 1:1	
Code	GWIC 6808ST	GWIC 6808	
			
Type	Stopper Type	Non-Stopper Type	
Offset	8	8 / 9.5	

Square Screw Driver

K Hex 1.2		● Sold separately			
		Unit mm Scale 1:1			
Code	SHD 1210	SHD 1215	SHD 1220	SHD 1225	SHD 1230
					
	10	15	20	25	30

DIONavi. Flapless Crestal Sinus Kit Kit Code | SMK 02

Unit:mm | Drill Scale 1:0.9



DIONavi. Flapless Crestal Sinus Kit

Ver B

Surgical Tool

Ø2.0 Drill Stopper


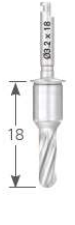
- This is used to connect to the Ø2.0 initial drill of DIOnavi. Master to maintain constant depth during surgery.
- Range of length is 3~6mm with 1mm interval and anodizing and laser marking are done for each length.

K		Unit mm Scale 1:1			
Code	GST 2030BL	GST 2040YE	GST 2050RD	GST 2060BL	
					

Sinus Drill

- Dome shaped tip is designed to prevent damaging of the membrane during drilling.
- Depth must be adjusted using a stopper.
- Non-irrigation and low-speed drilling (10rpm)

 Sold separately

K D Ø3.2		Unit mm Scale 1:1			
Code	GSRD 3217	GSRD 3218	GSRD 3219	GSRD 3221	
					

Ø3.2 Drill Stopper For crestal approach

- This is used by connecting to the Ø3.2 round drill of Flapless Crestal Sinus Kit.
- Range of length is 3~13mm with 1mm interval to maintain constant depth during surgery. Anodizing and laser marking are done for each length.

K		Unit mm Scale 1:1						
Code	GST 03BL	GST 04YE	GST 05RD	GST 06BL	GST 07YE	GST 08RD		
								
Code	GST 09BL	GST 10YE	GST 11RD	GST 12BL	GST 13YE			
								

Depth Gauge & Bone Condenser

- After checking the thickness of the residual bone and whether the membrane is lifted, push in the bone into the lifted sinus.
- After separating the Guide, make sure to use it attaching the Stopper.

K	Unit:mm
Code	GSDB 2619



Membrane Lifter

K	Unit:mm
Code	WML 6627



Square Wrench

K	Unit:mm
Code	DSW 050



Saline Tube

- Syringe ※ Separately sold product

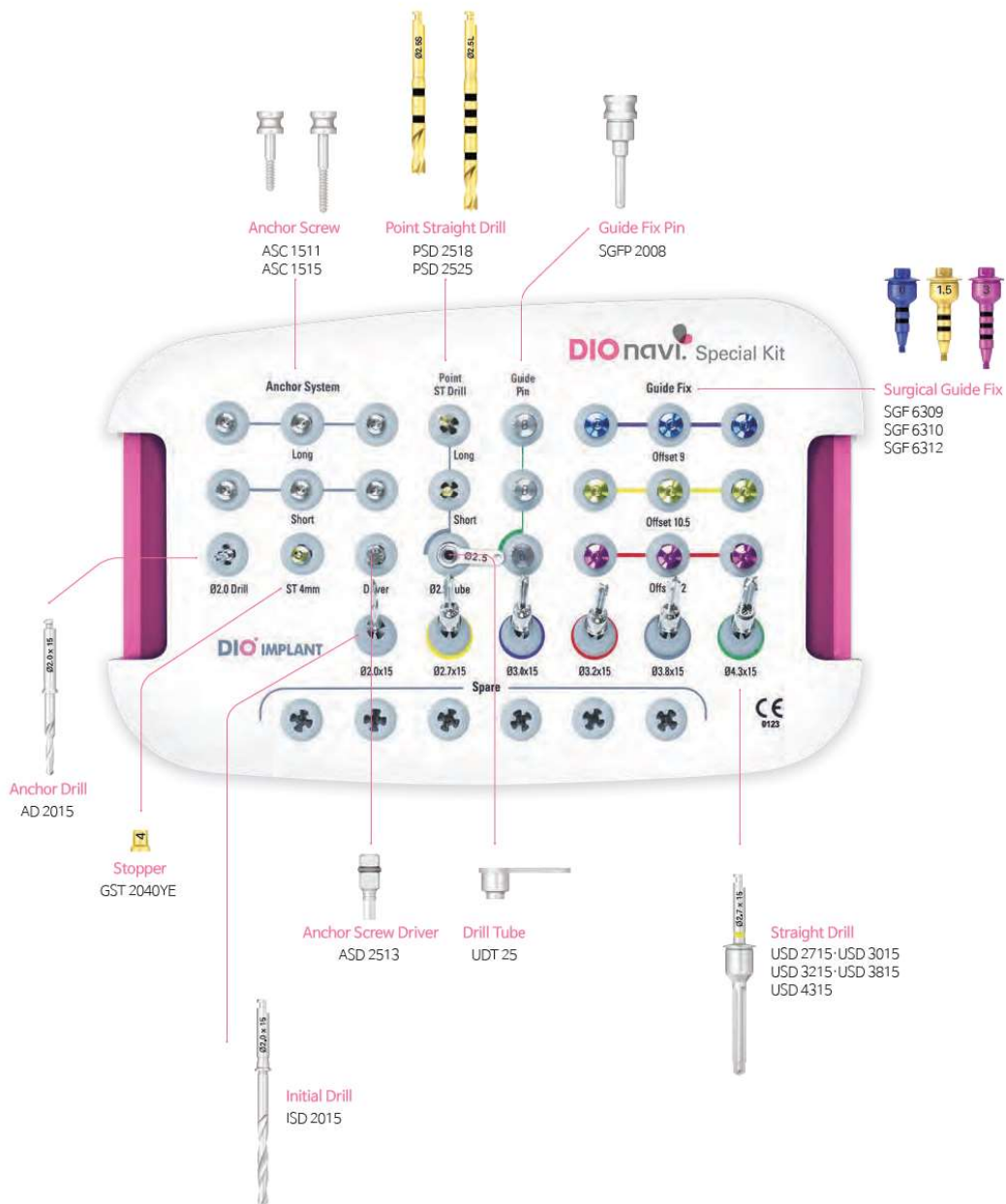
K	Unit:mm	● Sold separately
Code	MLT 40300	



DIONavi. Special Kit Kit Code | SGF 02

· Kit composed of drill with outstanding cutting force and durability, etc.

Unit mm | Drill Scale 1 : 0.9

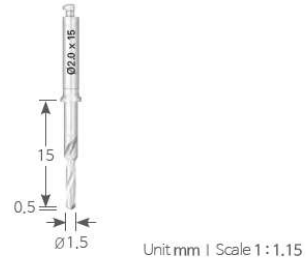


Ver B

Surgical Tool

Anchor Drill

- A hole is formed to insert an anchor pin into the bone for the purpose of fixating the surgical guide.



K D Ø1.5

Code

AD 2015

Stopper

- This is used when connecting to the $\varnothing 2.0$ initial drill.
- Constant depth is maintained during surgery.



K D Ø2.9

Code

GST 2040YE

Unit mm | Scale 1:1.15

Anchor Screw

- Used to connect the anchor screw using an anchor screw driver for ratchet

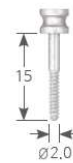
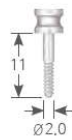
K D Ø2.0

Code

ASC 1511

ASC 1515

Unit mm | Scale 1:1



Anchor Screw Driver

- Used to connect the anchor screw using an anchor screw driver for ratchet



K

Code

ASD 2513

Unit mm | Scale 1:1.15

Surgical Tool

Initial Drill



K D Ø2.0	Unit mm Scale 1 : 1.15
Code	ISD 2015

Point Straight Drill

· Use of a drill tube (UDT 25) exclusive for the instrument (with a shape that prevents slipping on the bone) to form the guide hole in accurate position

K D Ø2.5	Unit mm Scale 1 : 1
Code	PSD 2518 PSD 2525



Straight Drill

K Length 15		Unit mm Scale 1 : 1				
Code	USD 2715	USD 3015	USD 3215	USD 3815	USD 4315	
Color	Yellow	Blue	Red	Grey	Green	

DIOnavi.
DIOnavi, Special Kit

Guide Fix Pin

- Used after $\varnothing 2.0$ drilling to insert a surgical guide fix pin into the hole to fix the surgical guide in place and prevent shaking (side shaking is prevented after fixing)



K		Unit mm Scale 1 : 1.15	
Code	SGFP 2008		

Surgical Guide Fix

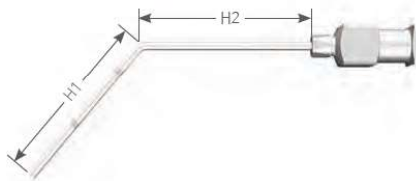
- Used to fix the surgical guide in place and prevent movement by connecting to the fixture placed earlier (side shaking is prevented after fixing)

K		Unit mm Scale 1 : 1		
Code	SGF 6309	SGF 6310	SGF 6312	
Offset	9	10.5	12	

Surgical Tool

Metal Needle

- Place the Metal needle tip deep into the osteotomy site, in order to prevent any damage caused by over-heating of the bone and complete removal of remaining tissues and particles at drilled bone cavity.
- Recommended capacity of the syringe : 30-50cc (Refrigerate before surgery)



O
Place the metal needle tip deep into the osteotomy site.



X
With the needle tip not all the way down to osteotomy it is hard to irrigate

● Sold separately

Unit mm | Scale 1 : 1.15

Code	MNT E	MNT L
Height 1	30	25
Height 2	50	25

DIONavi. Drill Plate

- To increase efficiency and convenience of sterilizing drills and restoring them into the KIT set after DIONavi. Surgery
- Sterilizable material
- Size : 200 × 140 × 30 (mm)
- ※ Non-medical devices



● Sold separately

Unit mm

Code	NP 01
------	-------

Surgical Kit

Sinus Master Kit Kit Code | SMK 01

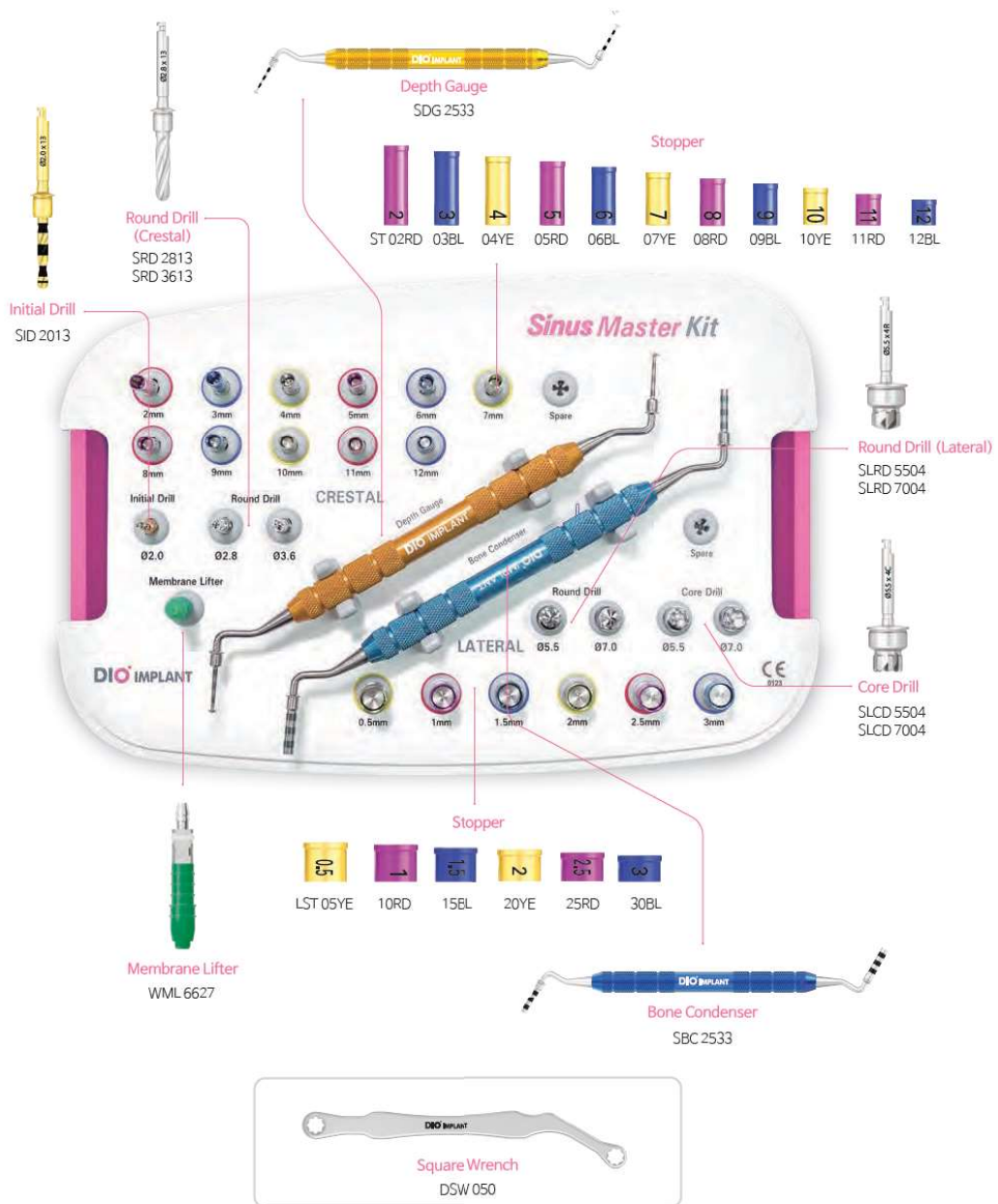
- **Crestal Approach Technic**

Sinus Technic based on low-speed drilling (50~100rpm) and stopper that perforates the inferior cortical wall and lifts the membrane safely and quickly

- **Lateral Approach Technic**

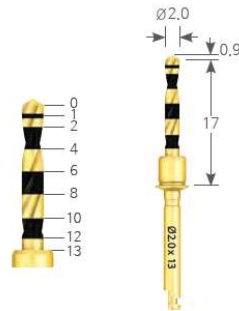
Round drill or core drill can be selected. The membrane can be lifted safely and quickly based on low-speed drilling (50~100rpm) and stopper.

Unit mm | Drill Scale 1 : 0.9



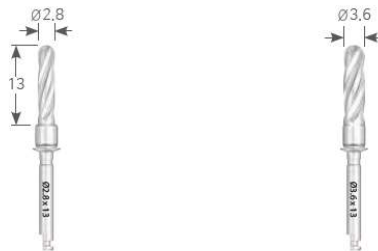
Surgical Tool Crestal

Ø2.0 Intial Drill



K D Ø2.0	Unit mm Scale 1:1.2	
Code	SID 2013	

Round Drill



K Length 13	Unit mm Scale 1:1.2	
Code	SRD 2813	SRD 3613

SURGICAL KIT
Sinus Master Kit

Stopper

· Stopper must be used for adjusting depth of the drill. It is distinguished by color and number.

K	Unit mm Scale 1:1										
Code	ST02RD	03BL	04YE	05RD	06BL	07YE	08RD	09BL	10YE	11RD	12BL



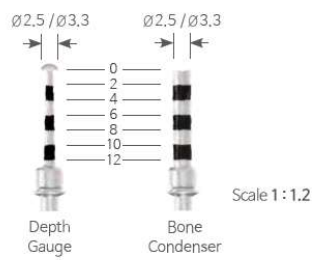
Drilling Length	2	3	4	5	6	7	8	9	10	11	12
Stopper Length	15	14	13	12	11	10	9	8	7	6	5

Surgical Tool Crestal

Membrane Lifter



K	Unit mm Scale 1:1.2
Code	WML 6627



Depth Gauge

K	Unit mm
Code	SDG 2533



Bone Condenser

K	Unit mm
Code	SBC 2533



Surgical Tool Lateral

Round Drill

K Unit mm | Scale 1:1

Code	SLRD 5504	SLRD 7004
		

Core Drill

K Unit mm | Scale 1:1







Code	SLCD 5504	SLCD 7004
		

SURGICAL KIT
Sinus Master Kit

Stopper

· Stopper must be used for adjusting depth of the drill. It is distinguished by color and number.

K Unit mm | Scale 1:1

Code	LST 05YE	10RD	15BL	20YE	25RD	30BL
						
Drilling Length	0.5	1	2	1.5	2.5	3
Stopper Length	7.5	7	6	6.5	5.5	5

Surgical Protocol

Lateral Approach Technic

· Sinus Technic based on low-speed drilling (50~100rpm) and stopper that perforates the inferior cortical wall and lifts the membrane safely and quickly

Drilling Round Drill

Rounded tip to perform drilling

Caution

The stopper must be used. Irrigation at 1,200~1,400rpm



Drilling Core Drill

The edge of the rounded tip only can perform drilling
Beware of the remaining bone chips returning to original position after lifting of the maxillary sinus.

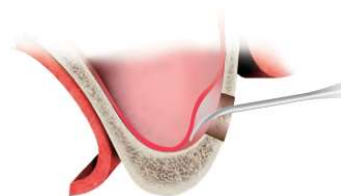
Caution

The stopper must be used. Irrigation at 600~800rpm



Lifting of the sinus membrane Sinus Lift

Lifting of the membrane on the lateral side



Crestal Approach Technic

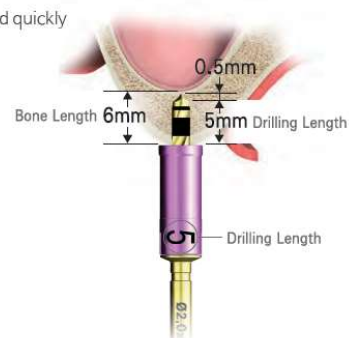
· Sinus Technic based on low-speed drilling (50~100rpm) and stopper that perforates the inferior cortical wall and lifts the membrane safely and quickly

Drilling Initial Drill

Drilling is done 1~2mm short from the floor of the maxillary sinus measured by CT after attaching a stopper.

Caution

The stopper must be used to adjust depth.
Non-irritation and low-speed drilling at 50rpm

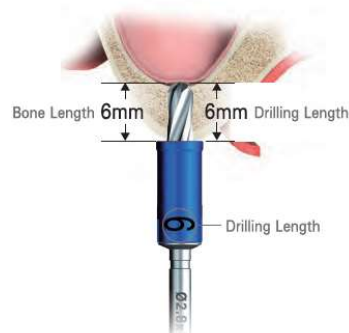


Sinus drill to perforate the bone underneath the maxillary sinus

Drilling is done to the same length as height of the residual bone of the maxillary sinus measured on CT after attaching a stopper.

Caution

The stopper must be used to adjust depth.
Non-irritation and low-speed drilling at 50rpm



Membrane lifter to lift the sinus membrane

The membrane lifter is used to inject saline solution into the osteotomy site.

Caution

Amount of injection measurement starts when pressure is felt, excluding the first 0.2cc~0.5cc before pressure is applied.

※ Amount of injection before pressure can differ according to height and expansion of the bone. For 1mm of sinus lifted, 0.1cc is injected.

Caution

If inferior border (A) of the maxillary sinus is well open

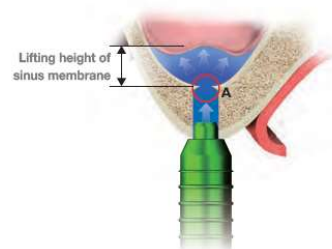
If pressure can be felt during injection of saline solution, the membrane is lifted and the pressure drops and saline solution injected.

If inferior border (A) of the maxillary sinus is not open well

After pressure felt from injection of saline solution, no more pressure can be applied or the nozzle is pushed out.
→ Drill the sinus drill 1mm deeper and retry.

Aspiration of saline solution with the nozzle kept in the hole

If negative pressure results after aspiration of injected saline solution mixed with blood, the membrane is fully lifted.

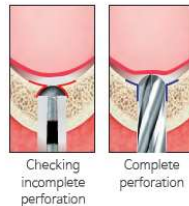


Surgical Protocol

Sinus drill (2nd) to open and expand inferior border of the maxillary sinus.

After lifting the maxillary sinus membrane, the sinus drill is used to drilled 1 mm deeper to expand the entrance of inferior border of the maxillary sinus.

Caution The stopper must be used to adjust depth.



Bone condenser to inject bone graft material

The bone condenser is used to push bone graft material into the maxillary sinus through the osteotomy site.

Caution

The stopper must be used to adjust depth.
Non-irrigation, low-speed drilling at 50rpm.

Caution

Determine volume of bone graft material.

When pressure is felt during injection of saline solution, the membrane is lifted.

Lifting height of the sinus membrane (mm)		1	2	3	4	5	6	7	8	9	10
Bone graft GBR (cc)	If implant is placed	0.1	0.2	0.3	0.4	0.5	0.6	0.7	0.8	0.9	1.0
	If implant is not placed	0.3	0.6	0.9	1.2	1.5	1.8	2.1	2.4	2.7	3.0

Dispersion of bone graft material

Insert a depth gauge into the maxillary sinus and rotate it to evenly disperse bone graft material.



Final Drilling Final Drill

Drill 2mm deeper than depth of the sinus drill used earlier.

Caution Use a drill shorter than implant.



Sinus drill (2nd) to open and expand inferior border of the maxillary sinus

Implant that enters into the maxillary sinus pushes bone graft material away to disperse it. If amount of residual bone is 4mm or larger, satisfactory initial fixing force can be obtained. Also, temporary prosthesis can be restored immediately upon placement of implant.

Caution

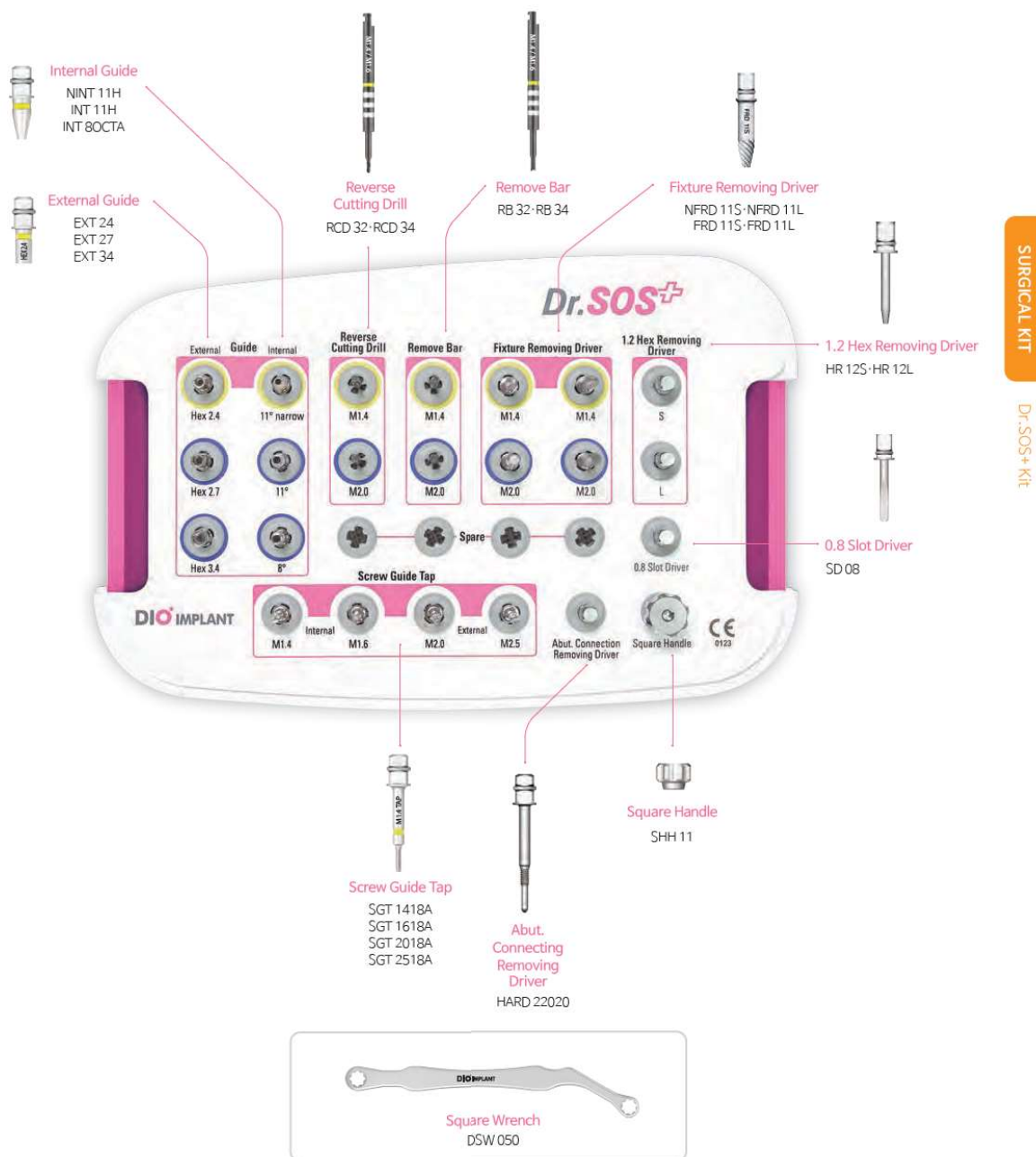
If remaining bone is very thin with thickness of 3mm or less and initial fixing of implant fails, only bone graft on the maxillary sinus is performed without implant placement.



Dr.SOS+ Kit Kit Code | DRS 02

Problems like fracture of screw from excessive torque, wearing of connections, and jamming of foreign matters during prosthetic part of implant installation are resolved safely and quickly.

Unit mm | Drill Scale 1 : 0.9







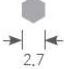
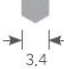
Surgical Tool

Internal Guide

· Guide for accurate entry of the Remove Bar and Reverse Cutting Drill into the fixture

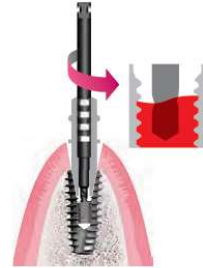
K UFII Narrow		Unit:mm Scale 1:1	
Code	NINT 11H	NINT 11N	
Type	 Hex	 Non-Hex	
K UFII Regular / Wide		Unit:mm Scale 1:1	
Code	INT 11H	INT 11N	
Type	 Hex	 Non-Hex	
K Non-Sub. 8"		Unit:mm Scale 1:1	
Code	INT 8Octa	INT 8N	
Type	 Octa	 Non-Octa	

External Guide



K Hex		Unit:mm Scale 1:1		
Code	EXT 24	EXT 27	EXT 34	
				
				

Reverse Cutting Drill

- After inserting the end blade of the cutting drill in the fractured screw remains, remove the remains in a reverse rotation by friction.
- When it is difficult to remove with a reverse cutting drill, remove the screw remains by inserting a 1.2 hex removing driver on the hole formed on the screw remains and drilling in a reverse rotation



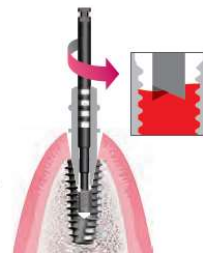
※Drill Speed : 1,200RPM / Reverse rotation
 ※In order to prevent high heat generation, osteotomy irrigation is necessary.

		Unit mm Scale 1 : 1	
		RCD 32	RCD 34
Code			
			
Type	I	M1.4 / 1.6	M2.0 / 2.5

SURGICAL KIT
Dr-SOS+KIT

Remove Bar

- By attaching the end blade of the bar to the cross section of the fractured screw remains, remove the remains in a reverse rotation by friction



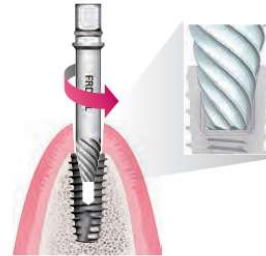
※ Drill Speed : 50~60rpm / Reverse rotation

		Unit mm Scale 1 : 1	
		RB 32	RB 34
Code			
			
Type	I	M1.4 / 1.6	M2.0 / 2.5

Surgical Tool

Fixture Removing Driver

· Allows the removal of placed implant by inserting to the fixture and turning anti-clockwise.



K

Unit:mm | Scale 1:1

Fixture Size	UFII Narrow · External NF		UFII Regular · Wide	
Code	NFRD 11S	NFRD 11L	FRD 11S	FRD 11L



Type |

Short

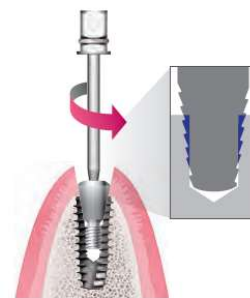
Long

Short

Long

1.2 Hex Removing Driver

· When use of the 1.2 Hex driver is not possible due to microorganisms in the 1.2 Hex connection part or the screw is stripped, use the removing driver for the removal of abutments or screws by inserting and turning anti-clockwise.



K

Hex 1.2

Unit:mm | Scale 1:1

Code	HR 12S	HR 12L
------	--------	--------



0.8 Slot Driver

- If removal with the driver is not possible due to severe wear in the connection part, use the bur to create a slot with a minimal depth of 1mm and remove using the 0.8 Slot driver.



K

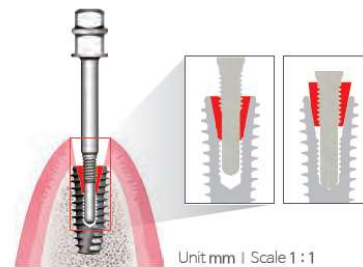
Code

SD 08



Abutment Connection Removing Driver

- If there is fractured residue remaining in the abutment connection part which is impossible to remove, attach the removing driver to the inner fixture and turn clockwise to contact the driver end with the bottom, for removal.



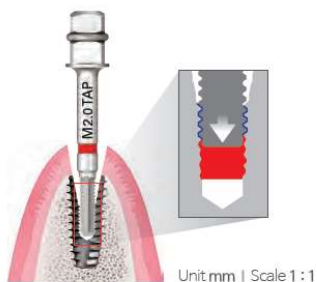
K

Code

HARD 22020

Screw Guide Tap

- Allows the restoral of distorted or damaged screw threads which hinder abutment-to- fixture attachment, caused by the penetration of microorganisms in the connection part or stripping of the screw thread.



K UFII Narrow / External Narrow

Code

SGT 1418A

SGT 1618A

SGT 2018A

SGT 2518A



Ø1.4



Ø1.6



Ø2.0



Ø2.5

Color



SURGICAL KIT

Dr-SOS+KIT

※ This catalog contains all products of DIO Corporation.

Please check with your local sales office and your sales representative if you are able to order products.

